



产品手册 2026
Product Catalog 2026



广芯电子技术(上海)股份有限公司
Broadchip Technology Group Co., Ltd.



BROADCHIP

COMPANY INTRODUCTION

Broadchip Technology Group Co., Ltd. was founded in Shanghai at the end of 2007 by the entrepreneurial team led by Mr. Dai Zhongwei, an overseas high-level talent. The company was recognized as a high-tech enterprise, a Shanghai Science and Technology Small Giant Cultivation Enterprise, and has been awarded the title of "Specialized and Special New" enterprise in Shanghai, and the title of "Small Jurist" enterprise by the Ministry of Industry and Information Technology.

BROADCHIP focuses on the design, R&D and sales of high-performance analog and mixed-signal integrated circuit chip products. Its products are widely used in mobile phones, tablets, wearable devices, security, Netcom, smart home, home appliances and other general consumer electronic products and communications. , instrumentation, industrial control and other fields.

Since its establishment, the company has successfully developed more than ten series and hundreds of models. With its technical advantages, innovative functions, excellent cost performance, and the company's good services, BROADCHIP has won the unanimous recognition and trust of many brand customers.

BROADCHIP has always paid attention to the technological innovation of products, quality control of products and customer needs. The research and development products have independent intellectual property rights. At present, the company has obtained dozens of authorizations for invention, utility model and integrated circuit layout design. With more than ten years of product development experience and core technology advantages in the field of integrated circuit chips, BROADCHIP has always provided customers with innovative products that are stable, reliable and cost-effective. At the same time, we provide customers with high-quality technical services and technical support. A leader in China's analog integrated circuit chip industry.

Mission:

To provide customers with the highest quality analog integrated circuit chip products and services.

Vision:

China's leading enterprise in analog integrated circuit chip design.

Corporate values:

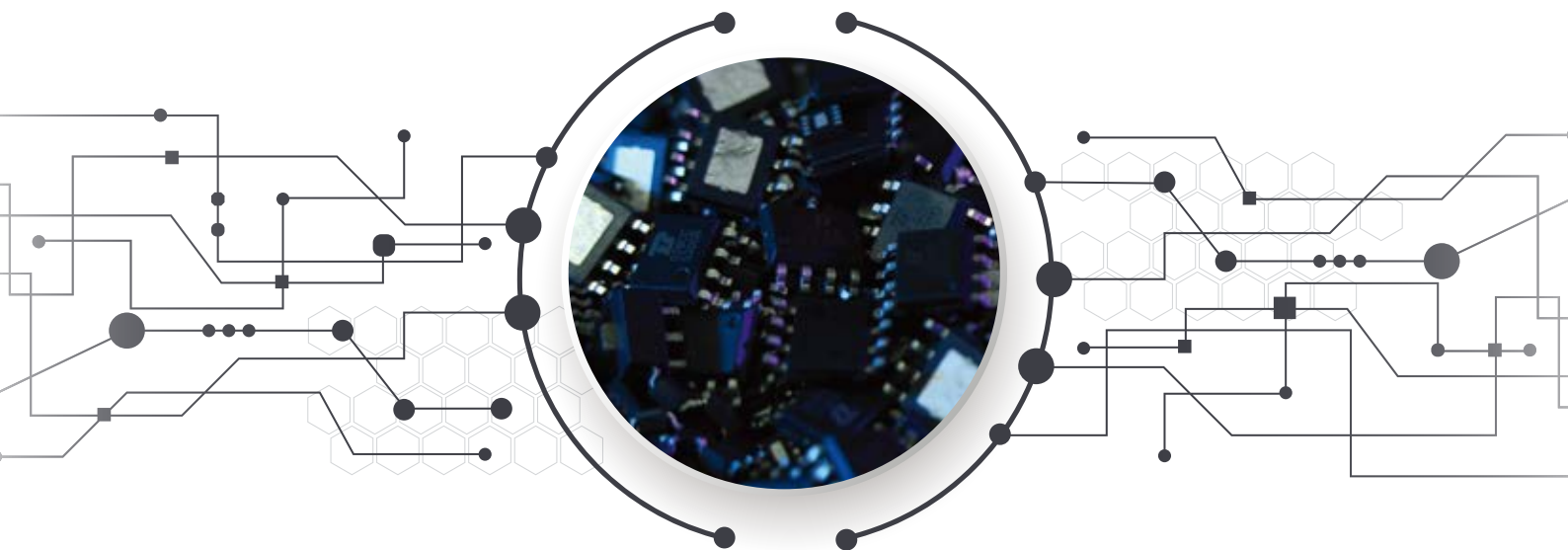
Customer First: Satisfaction and Recognition.

Employee Second: Pride and Happiness.

Shareholder Third: return on investment.

Corporate Code of Conduct:

Corporate Code of Conduct: Do things in a down-to-earth manner and be a real person.



THE CERTIFICATION 资质证书

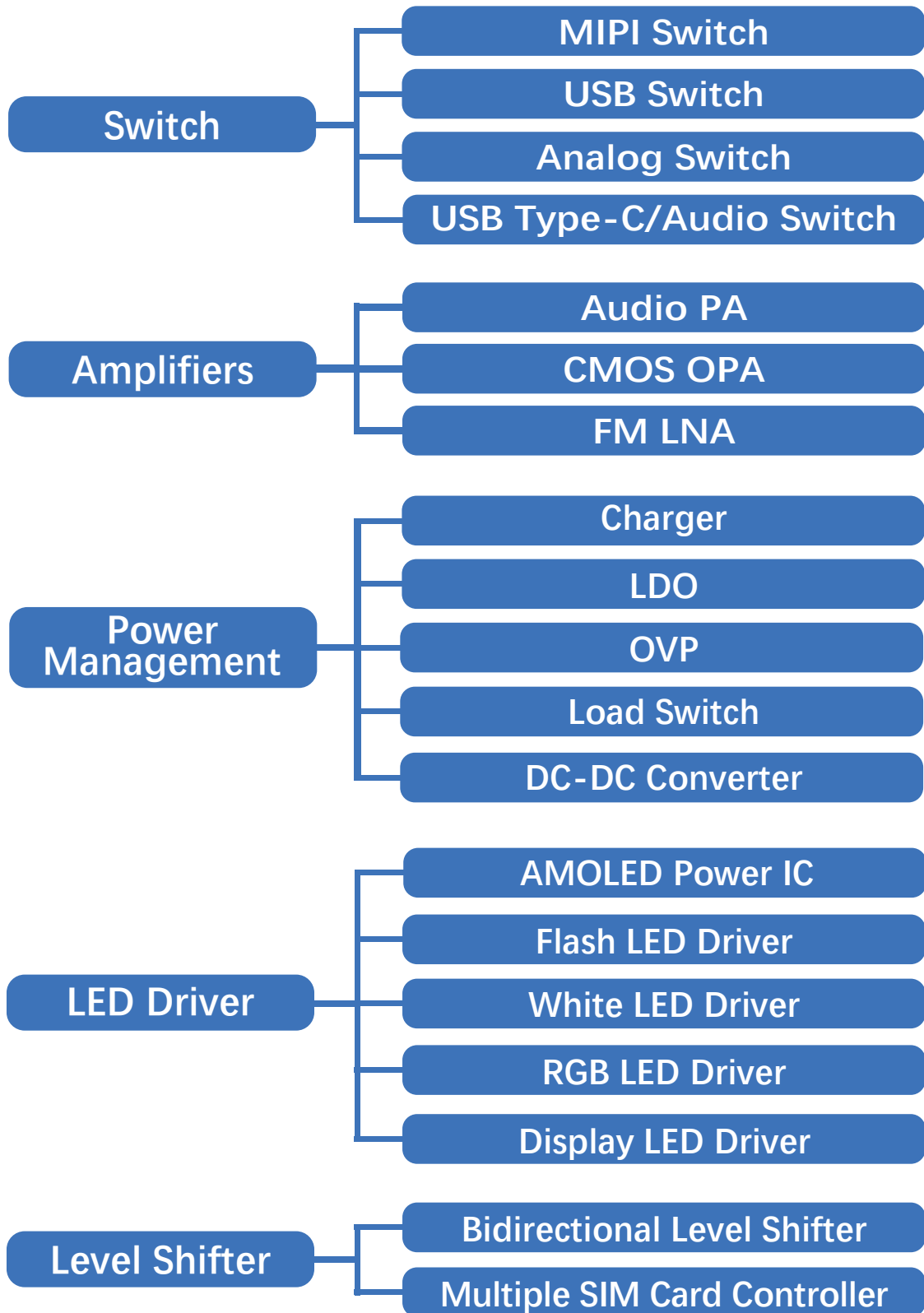


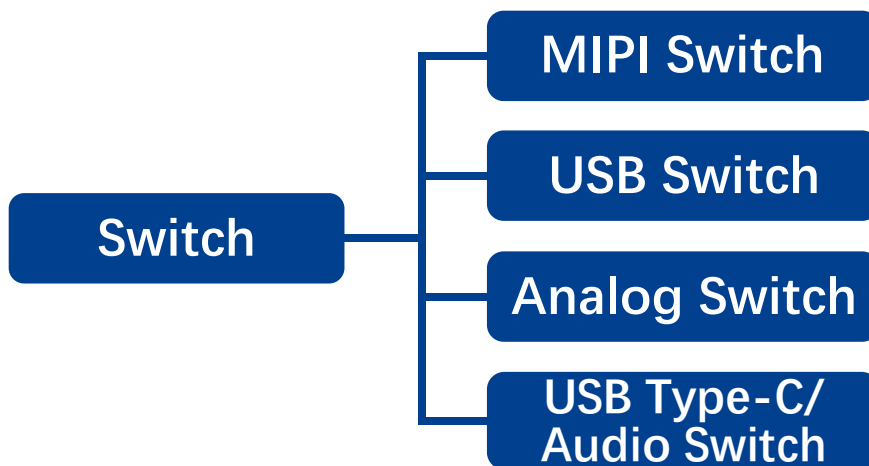
ABOUT BROADCHIP

认识广芯

-
- In December 2007, Broadchip Technology Group Co., Ltd. was established.
 - Multiple projects were recognized as Shanghai High-Tech Achievement Transformation Projects.
 - Passed the accreditation as a High-Tech Enterprise.
 - Awarded the "2010 China IC Design Company Achievement Award - Top 10 Outstanding Technical Support China IC Design Companies" by EE Times.
 - Mr. Dai Zhongwei was selected for the "Shanghai Pujiang Talent Program," received the 2009 Xu Guangqi Science and Technology Award, and was selected for the national "Overseas High-Level Talent" program.
 - Obtained ISO Quality Management System Certification and ISO Environmental Management System Certification.
 - The company was successfully listed on the National Equities Exchange and Quotations (NEEQ). Stock abbreviation: Broadchip. Stock code: 871366.
 - Approved for funding under the Shanghai "Science and Technology Innovation Action Plan" Integrated Circuit Design Special Project.
 - The MIPI switch product series received the "2019–2020 China IC Design Achievement Award – Best Amplifier/Data Converter of the Year" from ASPENCORE.
 - Recognized as a "Shanghai Science and Technology Little Giant Cultivation Enterprise."
 - Completed the first round of financing of RMB 32.963 million after listing on the NEEQ.
 - Annual total chip deliveries exceeded 550 million units.
 - Recognized as a Shanghai "Specialized, Refined, Distinctive, and Innovative" (SRDI) SME.
 - Annual total chip deliveries exceeded 700 million units.
 - Recognized as a National "Little Giant" SRDI Enterprise by the Ministry of Industry and Information Technology (MIIT).
 - Completed the third round of financing of RMB 80 million after listing on the NEEQ.
 - Relocated to the 17th Floor, Block H, WESTLINK, No.2337 Gudai Road, Minhang District, Shanghai.
 - Entered the Innovation Layer of the National Equities Exchange and Quotations (NEEQ).
 - Recognized as a "Shanghai Science and Technology Little Giant Enterprise."

Broadchip Product Line 产品线



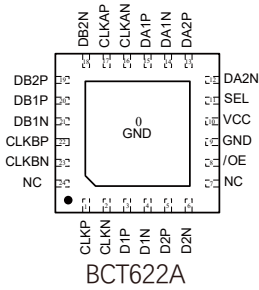


MIPI Switch

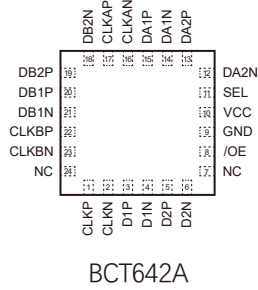
| PART No. | Description | V _{IN} (V) | Channels | 3dB Bandwidth (Gbps/L) | R _{ON} (Ω) | C _{ON} (pF) | Package | Cross Reference |
|----------|---|---------------------|---------------|------------------------|---------------------|----------------------|----------------|---------------------------------|
| *BCT622A | 2:1 MIPI D-PHY,C-PHY (2.5Gbps) 2-Data Lane Switch | 1.65-4.5 | 2DATA 1CLK | 2.5 | 6 | 5.2 | QFN3x3-24L | |
| * BCT645 | 2:1 MIPI D-PHY,C-PHY (2.5Gbps) 4-Data Lane Switch | 1.65-4.5 | 4DATA 1CLK | 2.5 | 6.5 | 1.5 | QFN4x4-38L | |
| BCT642A | 2:1 MIPI D-PHY (2.5Gbps) 2-Data Lane Switch | 1.65-4.5 | 2DATA 1CLK | 2.5 | 6 | 5 | QFN3.4x2.5-24L | FSA642 |
| BCT644C | 2:1 MIPI D-PHY,C-PHY (2.5Gbps) 4-Data Lane Switch | 1.65-4.5 | 4DATA 1CLK | 2.5 | 6 | 5 | FO-36L | FSA644 |
| BCT646C | 2:1 MIPI D-PHY,C-PHY (4.5Gbps) 4-Data Lane Switch | 1.5-5.0 | 4DATA 1CLK | 4.5 | 6.5 | 1.5 | FO-36L | FSA646 TS5MP646 PI3WVR646 |
| BCT660 | 2:1 MIPI C-PHY (5.7Gbps) 1-Data Lane Switch | 1.5-5.0 | 1DATA | 5.7 | 5.4 | 0.8 | QFN2.8x2.0-18L | FSA660 |
| BCT647 | 2:1 MIPI D-PHY,C-PHY (4.5Gbps) 4-Data Lane Switch | 1.5-5.0 | 4DATA 1CLK | 4.5 | 6.5 | 1.5 | QFN4x4-38L | |
| * BCT613 | 3:1 MIPI D-PHY (3.0Gbps) 2-Data Lane Switch | 1.5-5.0 | 2DATA 1CLK | 3 | 7 | 2 | QFN4x4-32L | |

* Please Contact Our Sales Office For More Details

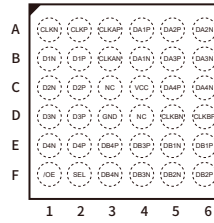
QFN3x3-24L



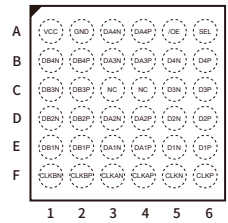
QFN3.4x2.5-24L



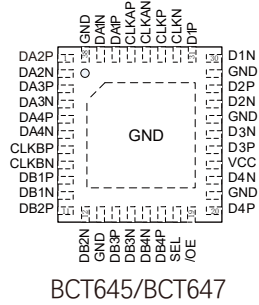
FO-36L



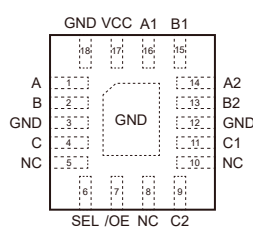
FO-36L



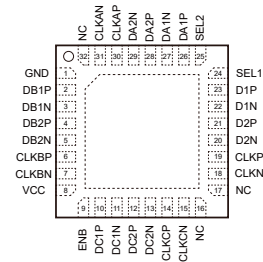
QFN4x4-38L



QFN2.8x2.0-18L

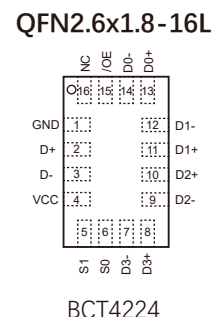
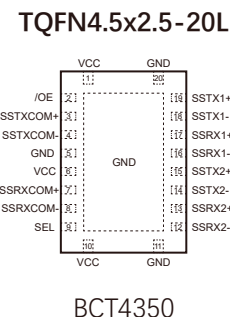
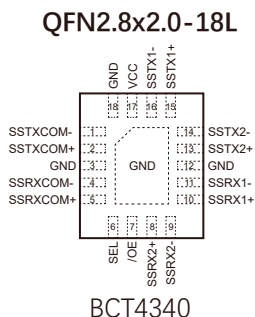
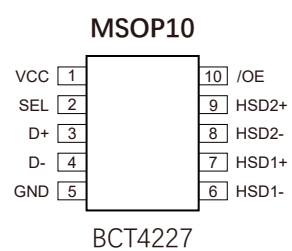
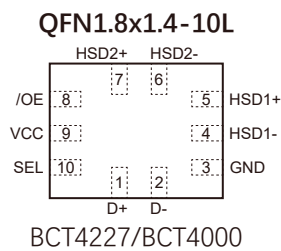
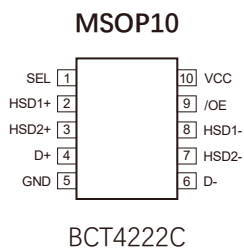
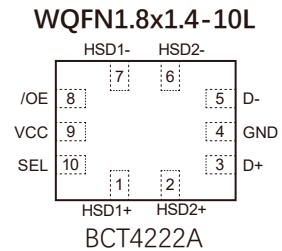
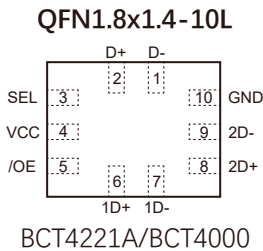
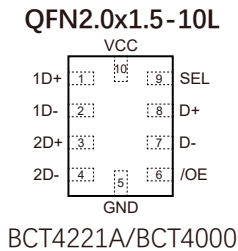


QFN4x4-32L



| PART No. | Description | Configuration | V _{CC} (V) | R _{ON} (Ω) | Cross Talk (dB) | -3dB Bandwidth (MHz) | Package | Cross Reference |
|----------|--|---------------|---------------------|---------------------|-----------------|----------------------|--|--|
| BCT4221A | High-Speed DPDT Analog Switch | DPDT(X1) | 2.3-5.5 | 2 | -45 | 1800 | QFN1.8x1.4-10L QFN2.0x1.5-10L | TS3USB221 NX3DV221 |
| BCT4222A | High-Speed DPDT Analog Switch | DPDT(X1) | 1.65-4.5 | 7 | -30 | 700 | WQFN1.8x1.4-10L | TS3USB30E FSUSB30 NLAS7222 PI3USB10LP-A |
| BCT4222C | High-Speed DPDT Analog Switch | DPDT(X1) | 1.65-4.5 | 7 | -30 | 700 | MSOP10 | TS3USB30E FUSB30MUX |
| BCT4227 | High-Speed DPDT Analog Switch | DPDT(X1) | 1.65-4.5 | 7 | -54 | 720 | MSOP10 QFN1.8x1.4-10L | FSUSB42UMX |
| *BCT4000 | High-Speed DPDT Analog Switch With OVP | DPDT(X1) | 2.3-5.5 | 5.5 | -90 | 1500 | QFN2x2-18L QFN1.8x1.4-10L QFN2.0x1.5-10L | PI3USB4000A DIO5000 |
| BCT4340 | USB3.1 Super Speed 10 Gbps Switch | QPDT(X1) | 1.5-5.0 | 5.4 | -44 | 10000 | QFN2.8x2.0-18L | FUSB340 |
| BCT4350 | USB3.1 Super Speed 10 Gbps Switch | QPDT(X1) | 1.5-5.0 | 5.4 | -44 | 10000 | QFN2x2-18L TQFN4.5x2.5-20L | CBTL02043A PI3USB302 PI3PCIE3212 |
| BCT4224 | USB2.0 High-Speed Switch | DP4T | 2.3-5.5 | 3 | -43 | 1600 | QFN2.6x1.8-16L | |

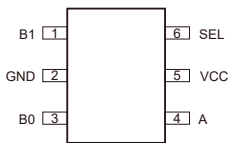
* Please Contact Our Sales Office For More Details



Analog Switch

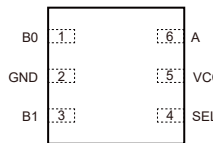
| PART No. | Description | Configuration | V _{CC} (V) | R _{ON} (Ω) | Cross Talk (dB) | -3dB Bandwidth (MHz) | Package | Cross Reference |
|----------|--|---------------|---------------------|---------------------|-----------------|----------------------|--|---|
| BCT4157 | Low-Voltage, Analog Switch | SPDT(X1) | 1.65-5.5 | 2.8 | -54 | 300 | SC70-6L SOT23-6 DFN1x1-6L TDFN1.1x0.9-6L | SN74LVC1G3157 TS5A3157/FSA3157 SGM3157/RS2057 BL1551/DIO3157 |
| BCT4223 | Low-Voltage, Analog Switch | SPDT(X2) | 1.65-5.0 | 1.2 | -103 | 100 | QFN1.8x1.4-10L | TS3A5223 FSA2259UMX NLAS5223/PI3A223 SGM5223/SGM3718 |
| BCT4684 | Low-Voltage, Analog Switch | SPDT(X2) | 1.8-5.5 | 0.4 | -100 | 65 | FO-10L | |
| BCT4699 | Ultra Low ON-Resistance Low-Voltage, Analog Switch | DPDT(X2) | 1.8-5.0 | 0.5 | -86 | 100 | TQFN3x3-16L UTQFN2.6x1.8-16L | TS3A44159 NLAS3699/PI3A412 SGM3699 |
| BCT4899 | Low-Voltage, Analog Switch | DPDT(X2) | 1.8-5.5 | 5 | -60 | 500 | TQFN3x3-16L QFN2.5x2.5-16L UTQFN2.6x1.8-16L | FSA2466/MAX4699 NLAS3899B/PI3A3899 SGM44599 |
| BCT4330 | Low-Voltage, Analog Switch | QPDT(X1) | 1.8-5.5 | 5 | -60 | 500 | SOP16 SSOP16 TSSOP16 QFN3x3-16L QFN3x3-20L | ADG774/774A G3204 FSAL200 FSAV330/430 SN74XX3257/STMAV340 SGM5018/330A |

SC70-6L
SOT23-6



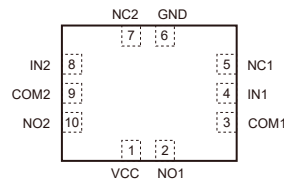
BCT4157

DFN1x1-6L
TDFN1.1x0.9-6L



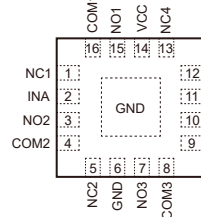
BCT4157

QFN1.8x1.4-10L



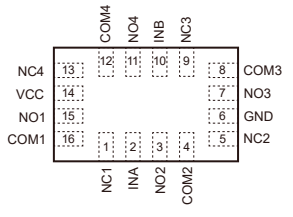
BCT4223

TQFN3x3-16L
QFN2.5x2.5-16L



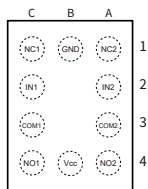
BCT4699/BCT4899

QFN2.6x1.8-16L
UTQFN2.6x1.8-16L



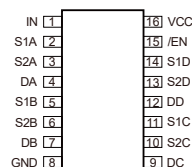
BCT4699/BCT4899

FO-10L



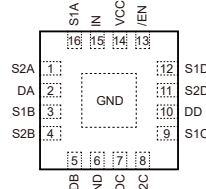
BCT4684

SOP16
SSOP16/TSSOP16



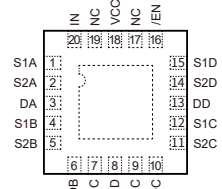
BCT4330

QFN3x3-16L



BCT4330

QFN3x3-20L

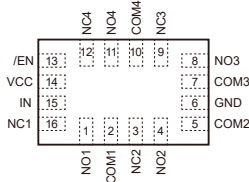


BCT4330

Analog Switch

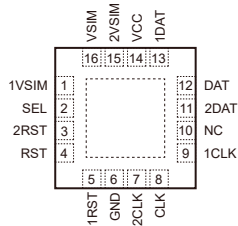
| PART No. | Description | Configuration | V _{CC} (V) | R _{ON} (Ω) | Cross Talk (dB) | -3dB Bandwidth (MHz) | Package | Cross Reference |
|----------|--|---------------|---------------------|---------------------|-----------------|----------------------|---|------------------------------------|
| BCT44603 | Low-Voltage, Analog Switch | QSPDT | 1.8-5.5 | 5 | -60 | 500 | QFN2.6x1.8-16L | FSA2457 SGM44603 |
| BCT4567A | Low-Power, Dual SIM Card Analog Switch | QPDT(X1) | 1.65-5.0 | 0.3 | -76 | 260 | QFN2x2-18L TQFN3x3-16L UTQFN2.6x1.8-16L | FSA2567 |
| BCT4717A | Dual-SPDT Analog Switch | SPDT(X2) | 1.8-5.5 | 4 | -99 | 300 | FO-10L QFN1.8x1.4-10L | SGM4717 |
| BCT48751 | Low-Voltage, Analog Switch | SP8T(X1) | 2.5-5.5 | 48 | | 300 | SOP16 SSOP16 TSSOP16 QFN3x3-16L | SN74HC4851 TMUX1308 SGM48751 |
| BCT48752 | Low-Voltage, Analog Switch | DPQT(X1) | 2.5-5.5 | 48 | | 300 | SOP16 SSOP16 TSSOP16 QFN3x3-16L | SGM48752 SN74HC4052 |

QFN2.6x1.8-16L



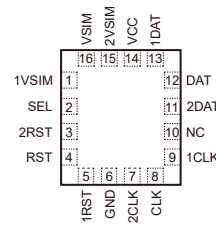
BCT44603

TQFN3x3-16L



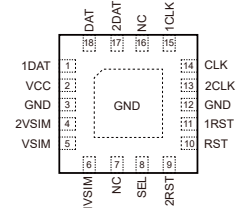
BCT4567A

QFN2.6x1.8-16L



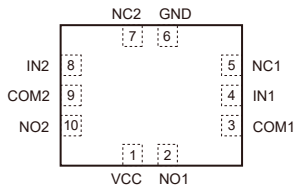
BCT4567A

QFN2X2-18L



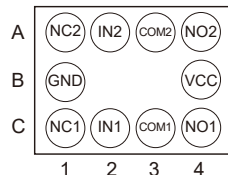
BCT4567A

QFN1.8x1.4-10L



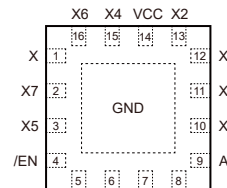
BCT4717A

FO-10L



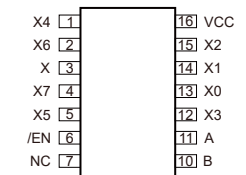
BCT4717A

QFN3x3-16L



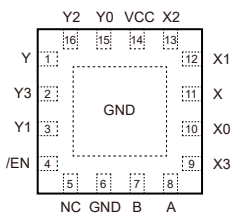
BCT48751

SOP16
SSOP16/TSSOP16



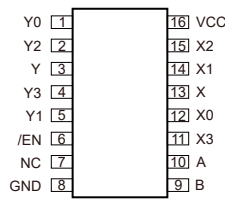
BCT48751

QFN3x3-16L



BCT48752

SOP16
SSOP16/TSSOP16

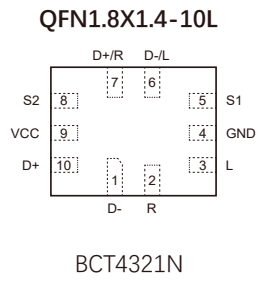
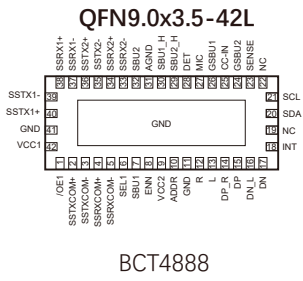
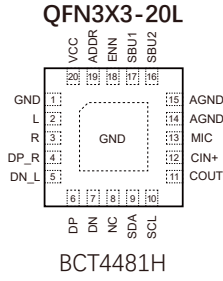
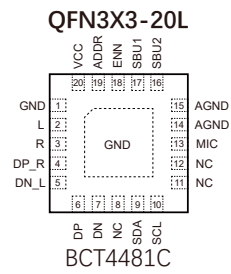
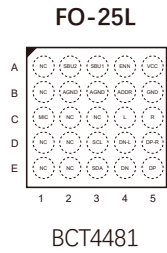
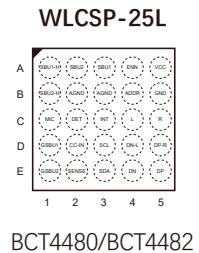


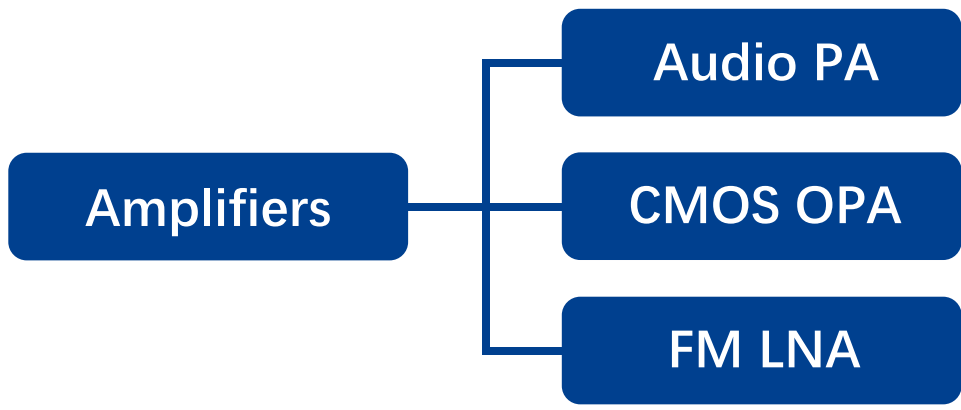
BCT48752

USB Type-C/Audio Switch



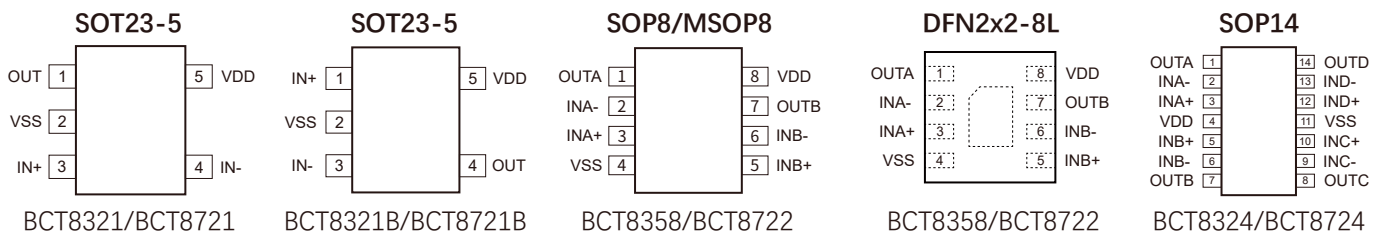
| PART No. | Description | V _{CC} (V) | Audio-R _{ON} (Ω) | USB-R _{ON} (Ω) | Analog Signal Range (V) | -3dB Bandwidth (MHz) | Package | Cross Reference |
|----------|---|---------------------|---------------------------|-------------------------|--|----------------------|----------------|-----------------|
| BCT4480 | USB Type-C Analog Audio Switch with Protection Function | 2.7-5.5 | 1.0 | 3.0 | 0 to 20 | 950 | WLCSP-25L | FSA4480 |
| BCT4480C | USB Type-C Analog Audio Switch with Protection Function | 2.7-5.5 | 1.0 | 3.0 | 0 to 20 | 950 | QFN4x4-32L | |
| BCT4481 | USB Type-C Analog Audio Switch with Protection Function | 2.7-5.5 | 1.0 | 3.0 | 0 to 20 | 950 | FO-25L | |
| BCT4481H | USB Type-C Analog Audio Switch with Protection Function | 2.7-5.5 | 1.0 | 3.0 | 0 to 20 | 950 | QFN3x3-20L | |
| BCT4481C | USB Type-C Analog Audio Switch with Protection Function | 2.7-5.5 | 1.0 | 3.0 | 0 to 20 | 950 | QFN3x3-20L | |
| BCT4482 | USB Type-C Analog Audio Switch with Protection Function | 2.7-5.5 | 1.0 | 3.0 | 0 to 20 | 950 | WLCSP-25L | |
| BCT4888 | USB Type-C USB3.2/2.0 Analog Audio Switch with Audio Ground Detection | 2.7-5.5 | 1.0 | 3.0 | 0 to 20 | 10GHz/950MHz | QFN9.0x3.5-42L | |
| BCT4321N | High-Speed and Audio Switches with Negative Signal Capability(-2V) | 2.7-5.0 | 2.5 | 8.5 | V _{CC} -6.5 to V _{CC} -2 | 720 | QFN1.8x1.4-10L | FSA321 |





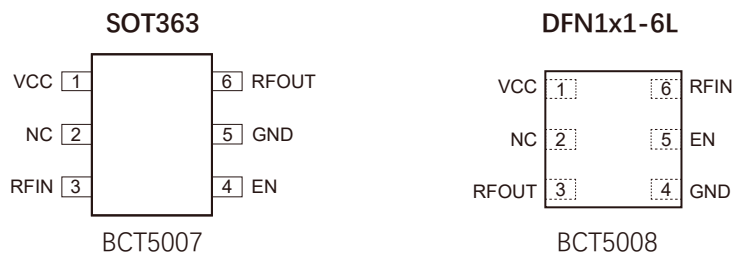
CMOS OPA

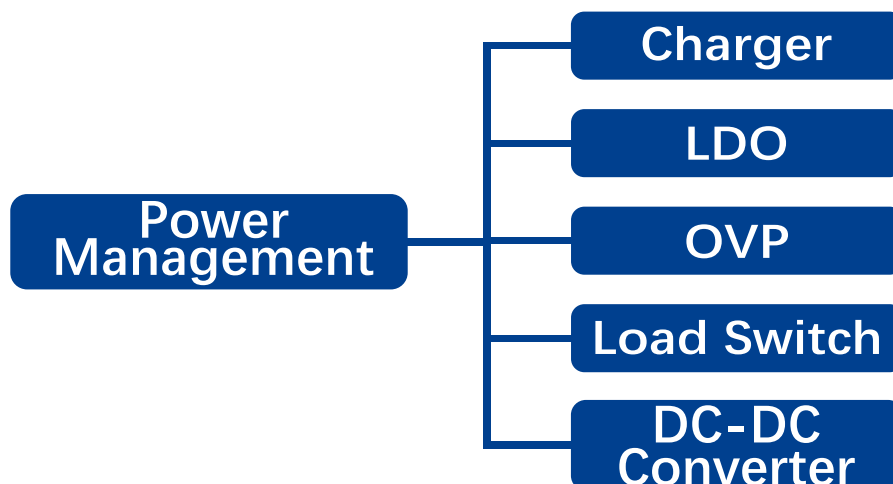
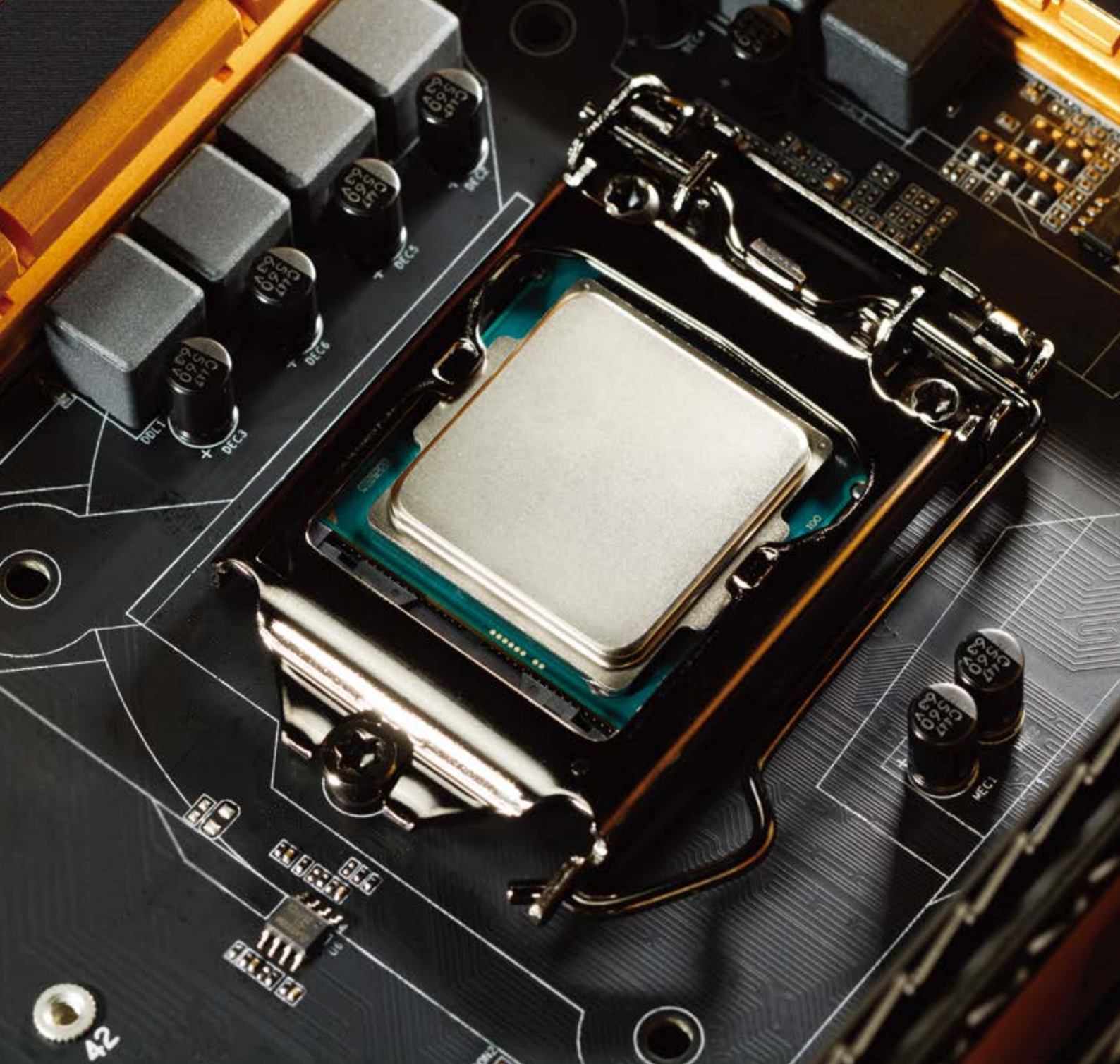
| PART No. | Description | V _{IN} Range (V) | I _Q /Channel (mA) | V _{OS} (mV) | PSRR (dB) | Gain Bandwidth (MHz) | Slew Rate (V/μs) | Package | Cross Reference |
|----------|--------------------------------------|---------------------------|------------------------------|----------------------|-----------|----------------------|------------------|-------------------|--|
| BCT8321 | 1 Channel RRIO 1MHz, CMOS Amplifier | 2.1-5.5 | 0.12 | ±0.8 | 80 | 1 | 0.65 | SOT23-5 | LMV321A MCP6001 SGM321B |
| BCT8321B | 1 Channel RRIO 1MHz, CMOS Amplifier | 2.1-5.5 | 0.12 | ±0.8 | 80 | 1 | 0.65 | SOT23-5 | LMV321 MCP6L01U SGM321 |
| BCT8358 | 2 Channel RRIO 1MHz, CMOS Amplifier | 2.1-5.5 | 0.06 | ±0.8 | 80 | 1 | 0.65 | SOP8 DFN2x2-8L | LMV358 LMV6002 LM2904LV MCP6002 SGM358 |
| BCT8324 | 4 Channel RRIO 1MHz, CMOS Amplifier | 2.1-5.5 | 0.06 | ±0.8 | 80 | 1 | 0.65 | SOP14 | LMV324 LMV6004 LM2902LV MCP6004 SGM324 |
| BCT8721 | 1 Channel RRIO 15MHz, CMOS Amplifier | 2.1-5.5 | 2.2 | ±0.85 | 85 | 15 | 9 | SOT23-5 | LMV721 TLV9061 TLV316 MCP6291 SGM721 |
| BCT8721B | 1 Channel RRIO 15MHz, CMOS Amplifier | 2.1-5.5 | 2.2 | ±0.85 | 85 | 15 | 9 | SOT23-5 | TLV9061 TLV316 |
| BCT8722 | 2 Channel RRIO 15MHz, CMOS Amplifier | 2.1-5.5 | 1.1 | ±0.85 | 85 | 15 | 9 | SOP8 DNF2x2-8L | LMV722 MCP6292 SGM722 |
| BCT8724 | 4 Channel RRIO 15MHz, CMOS Amplifier | 2.1-5.5 | 1.1 | ±0.85 | 85 | 15 | 9 | SOP14 | LMV724 MCP6294 SGM724 |



FM LNA

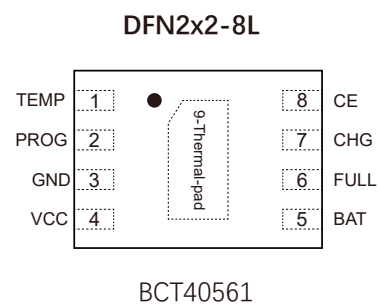
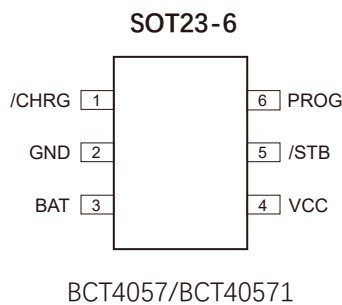
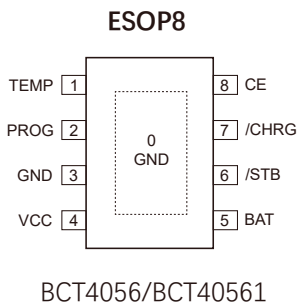
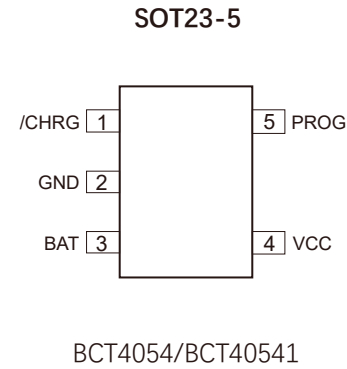
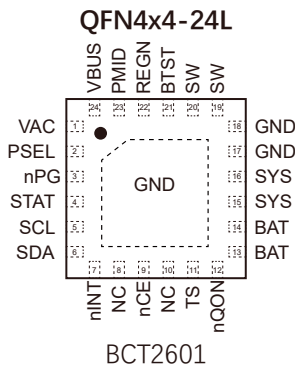
| PART No. | Description | V _{CC} Range (V) | I _Q (mA) | Power Gain (dB) | Noise Figure (dB) | Input Return Loss (dB) | Reverse Isolation (dB) | Output Return Loss (dB) | Package | Cross Reference |
|----------|------------------------|---------------------------|---------------------|-----------------|-------------------|------------------------|------------------------|-------------------------|-----------|-----------------|
| BCT5007 | FM Low Noise Amplifier | 2.6-3.6 | 9.2 | 21 | 1.2 | -3.7 | -39.8 | -20.5 | SOT363 | XX5007 |
| BCT5008 | FM Low Noise Amplifier | 2.6-3.6 | 9.2 | 21 | 1.2 | -3.7 | -39.8 | -20.5 | DFN1x1-6L | AW5037 |





| PART No. | Description | Maximum Charge Current (A) | End of Charge Current | V _{BUS} (V) | V _{BUS_MAX} (V) | Charge Voltage Range (V) | Package | Cross Reference |
|--------------------|--|----------------------------|-----------------------|----------------------|--------------------------|--------------------------|--|-----------------|
| BCT2601 | 3A Single-Cell Li-Ion Switching Charger with USB-OTG Boost Regulator | 3 | C/50 | 3.9-13.5 | 20 | 3.86-4.62 | QFN4x4-24L | BQ25601 |
| *BCT2601D | 3A Single-Cell Li-Ion Switching Charger with USB-OTG Boost Regulator and BC1.2 available | 3 | C/50 | 3.9-13.5 | 20 | 3.86-4.62 | QFN4x4-24L | BQ25601D |
| *BCT2601S | 3A Single-Cell Li-Ion Switching Charger with OTG/BC1.2 and Supports ultra-low power wake-up and solar charging | 3 | C/50 | 3.9-13.5 | 20 | 3.86-4.62 | QFN4x4-24L | |
| *BCT2601E | 3A Single-Cell Li-Ion Switching Charger with OTG/BC1.2 and The VBAT pin can withstand higher surge levels | 3 | C/50 | 3.9-13.5 | 20 | 3.86-4.62 | QFN4x4-24L | |
| *BCT2603 | 3A Single-Cell Li-Ion Switching Charger with USB-OTG Boost Regulator and BC1.2 available | 3.78 | C/50 | 3.9-13.5 | 20 | 3.86-4.62 | QFN4x4-24L | |
| BCT4056 | 1.0A Li-Ion Linear Charger Management | 1.0 | C/10 | 4.0-6.5 | 6.5 | 4.2-4.35 | ESOP8 | XXX4056 |
| BCT4054 | 0.7A Li-Ion Linear Charger Management | 0.7 | C/10 | 4.0-6.5 | 6.5 | 4.2-4.35 | SOT23-5 | XXX4054 |
| BCT4057 | 0.7A Li-Ion Linear Charger Management | 0.7 | C/10 | 4.0-6.5 | 6.5 | 4.2-4.35 | SOT23-6 | XXX4057 |
| *BCT40561 /541/571 | 1.0/0.7A Li-Ion Linear Charger Management | 1.0/0.7 | C/10 | 4.0-28 | 28 | 4.2-4.35 | ESOP8 DFN2x2-8L SOT23-5 SOT23-6 | XXX40561 |

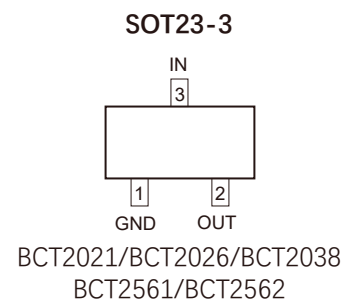
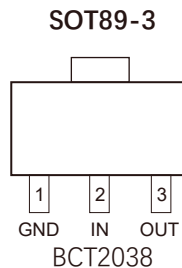
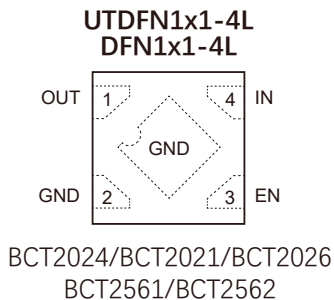
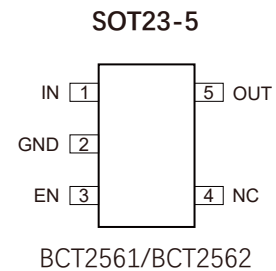
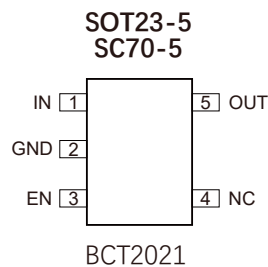
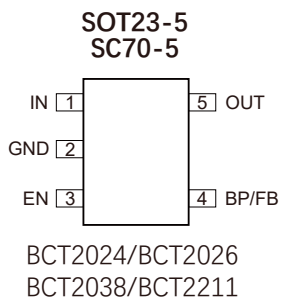
* Please Contact Our Sales Office For More Details



LDO (Low Voltage)

| PART No. | Description | V _{IN} Range (V) | V _{OUT} Range (V) | I _Q (uA) | I _{OUT} (mA) | Current Limit (mA) | PSRR (dB@1KHz) | Package | Cross Reference |
|----------|---------------------------------------|---------------------------|---|---------------------|-----------------------|--------------------|----------------|---|---------------------------------------|
| *BCT2024 | 300mA Low IQ Low Dropout Regulators | 1.6-5.5 | 1.2 1.8 2.8 3.0 3.3 (0.8-5.0)ADJ | 20 | 300 | 560 | 70 | SC70-5 SOT23-5 UTDFN1x1-4L | SGM2036 |
| BCT2021 | 300mA Low IQ Low Dropout Regulators | 1.6-6.0 | 1.0 1.2 1.8 2.5 2.8 3.0 3.3 | 35 | 300 | 500 | 70 | SC70-5 SOT23-3 SOT23-5 UTDFN1x1-4L | SGM2036 ETA5053 |
| *BCT2026 | 70dB 300mA Dual LDO Linear Regulators | 1.6-6.0 | 1.6 1.8 2.8 3.0 6.0 | 70 | 300 | 500 | 70 | SC70-5 SOT23-3 SOT23-5 UTDFN1x1-4L | TLV703 SGM2036 |
| BCT2038 | 500mA Low IQ Low Dropout Regulators | 1.6-5.5 | 1.2 1.8 2.8 3.0 3.3 (0.8-5.0)ADJ | 20 | 500 | 800 | 75 | SC70-5 SOT23-3 SOT23-5 SOT89-3 | TLV755P ME6211 |
| BCT2211 | 500mA Low IQ Low Dropout Regulators | 1.6-5.5 | 1.2 1.8 2.8 3.0 3.3 (0.8-5.0)ADJ | 20 | 500 | 800 | 70 | SC70-5 SOT23-5 | TLV755P |
| BCT2561 | 2uA IQ, Low Dropout Regulators | 1.6-5.5 | 0.75 0.8 1.05 1.2 1.3 1.5 1.8 1.85 2.5 2.8 3.0 3.3 | 2 | 300 | 550 | 70 | SOT23-3 SOT23-5 UTDFN1x1-4L | XC6233 RP110L RT9073 TPS7A05 |
| BCT2562 | 2uA IQ, Low Dropout Regulators | 1.6-5.5 | 0.8 0.9 1.2 1.3 1.5 1.8 1.85 2.5 2.8 3.0 3.3 | 2 | 600 | 1000 | 70 | SOT23-3 SOT23-5 UTDFN1x1-4L | XC6233 RP110L RT9073 TPS7A05 |

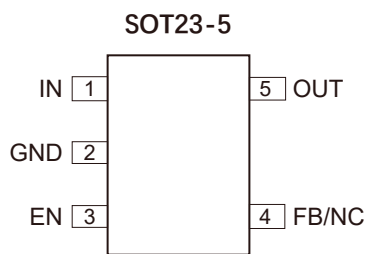
* Please Contact Our Sales Office For More Details



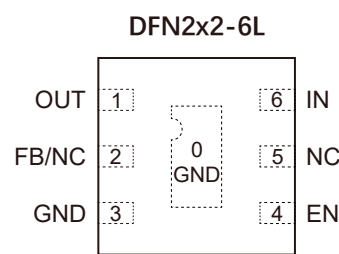
LDO (Low Voltage)

| PART No. | Description | V _{IN} Range (V) | V _{OUT} Range (V) | I _Q (uA) | I _{OUT} (mA) | Current Limit (mA) | PSRR (dB@1KHz) | Package | Cross Reference |
|----------|--|---------------------------|--|---------------------|-----------------------|--------------------|----------------|------------------------|--|
| BCT2057 | 1000mA Low Dropout Regulators | 1.6-5.5 | 0.8 0.9 1.0 1.05 1.1 1.2 1.3 1.35 1.5 1.8 2.2 2.5 2.8 3.0 3.3 3.6 (0.8-5.0)ADJ | 30 | 1000 | 1800 | 60 | SOT23-5 DFN2x2-6L | TLV757 XC6227 |
| BCT2910 | Ultra Low Noise and High PSRR LDO Regulators | 1.8-5.5 | 1.2 1.5 1.8 2.5 2.8 3.0 3.3 4.2 5.0 | 14 | 300 | 530 | 94 | WLCSP-4L | LP5910 |
| BCT2160 | Ultra Low Noise and High PSRR LDO Regulators | 1.8-5.5 | 1.2 1.5 1.8 2.5 2.8 3.0 3.3 4.2 5.0 | 14 | 300 | 530 | 94 | SOT23-5 DFNFC1x1-4L | NCP160 TPS7A20 LP5907 SGM2033 |
| BCT2186 | 1000mA Ultra Low Dropout Regulators | 1.8-5.5 | 0.8 0.9 1.0 1.05 1.1 1.2 1.3 1.35 1.5 1.8 2.2 2.5 2.8 3.0 3.3 3.6 (0.8-5.0) | 30 | 1000 | 1400 | 75 | DFN1.6x1.2-8L | NCP186 RP115 |
| BCT2186L | 1000mA Ultra Low Dropout Regulators | 1.6-5.5 | (0.6-5.0)ADJ | 30 | 1000 | 1400 | 75 | DFN2x2-6L | |
| *BCT2157 | 1000mA Ultra Low Dropout Regulators | 1.6-5.5 | 1.8 2.5 3.3 (0.8-5.0)ADJ | 33 | 1000 | 1400 | 70 | DFN2x2-6L | |

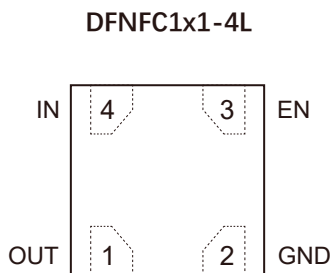
* Please Contact Our Sales Office For More Details



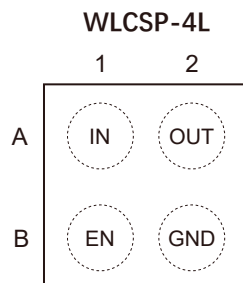
BCT2057/BCT2160



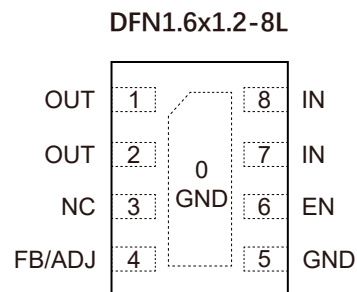
BCT2057/BCT2186L/BCT2157



BCT2160



BCT2910

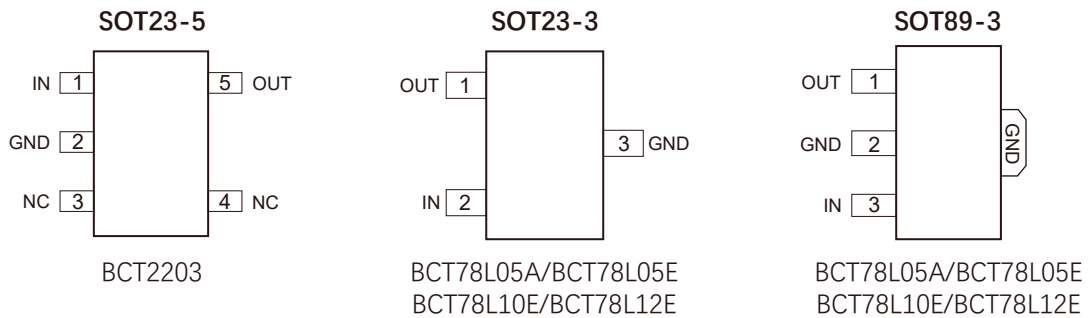
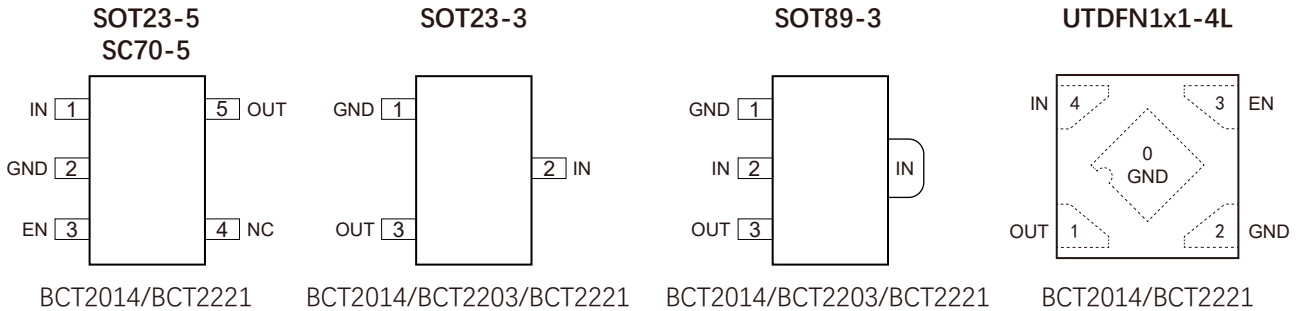


BCT2186

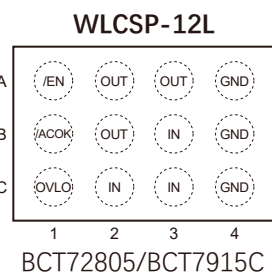
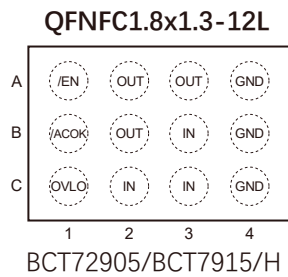
LDO (High Voltage)

| PART No. | Description | V _{IN} Range (V) | V _{OUT} Range (V) | I _Q (uA) | I _{OUT} (mA) | Current Limit (mA) | PSRR (dB@1KHz) | Dropout(3.3V) (mV) | Package | Cross Reference |
|------------|--|---------------------------|--|---------------------|-----------------------|--------------------|----------------|--------------------|--|-----------------------------|
| BCT2014 | 0.7uA IQ Low Dropout Regulators | 2.5-15 | 1.5 1.8 2.5 2.8 3.0 3.3 3.6 4.2 4.5 5.0 | 0.7 | 300 | 500 | 40 | 320 | SC70-5 SOT23-3 SOT23-5 SOT89-3 UTDFN1X1-4L | XC6233 RP110L RT9073 |
| * BCT2221 | 2.5uA IQ Low Dropout Regulators | 2.5-16 | 3.3 ADJ | 2.5 | 300 | 500 | 70 | 320 | SOT23-3 SOT23-5 SOT89-3 UTDFN1X1-4L | |
| BCT2203 | 2.5uA IQ High Voltage Regulators | 2.7-36 | 1.5 1.8 3.0 3.3 4.2 4.5 5.0 8.0 9.0 10.0 12.0 | 2.5 | 150 | 230 | 40 | 1300 | SOT23-3 SOT23-5 SOT89-3 | TLV704 TPS709 SGM2203 |
| BCT78L05A | 0.7uA IQ Low Dropout Regulators | 5.5-15 | 5 | 0.7 | 300 | 500 | 40 | 320 | SOT23-3 SOT89-3 | 78L05 |
| BCT78L05E | 3uA IQ High Voltage Regulators | 2.7-36 | 5 | 3 | 150 | 500 | 40 | 1300 | SOT23-3 SOT89-3 | 78L05 |
| *BCT78L10E | 3uA IQ Low Dropout Regulators | 2.7-36 | 10 | 3 | 150 | 500 | 40 | 1300 | SOT23-3 SOT89-3 | |
| *BCT78L12E | 3uA IQ High Voltage Regulators | 2.7-36 | 12 | 3 | 150 | 500 | 40 | 1300 | SOT23-3 SOT89-3 | |

* Please Contact Our Sales Office For More Details



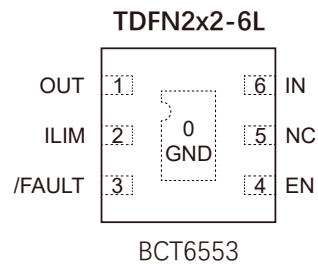
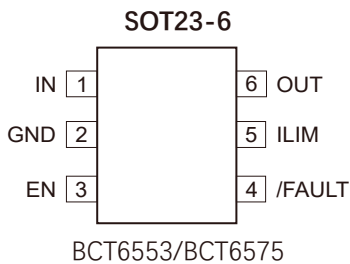
| PART No. | Description | R _{DS(on)} (mΩ) | Continuous Current (A) | Peak current (A) | V _{IN_OVLO} (V) | OVP Adjustable Range (V) | V _{IN_MAX} (V) | Surge Protection (V) | Package | Cross Reference |
|----------|-------------------------------------|--------------------------|------------------------|------------------|--------------------------|--------------------------|-------------------------|----------------------|------------------|--|
| BCT72905 | Over-Voltage Protection Load Switch | 30.7 | 4.5 | 7 | 6.8 | 4-20 | 29 | 110 | QFNFC1.8x1.3-12L | MAX14654 MAX14717 SGM40654 SGM40657 |
| BCT72805 | Over-Voltage Protection Load Switch | 20 | 5 | 8 | 6.8 | 4-20 | 29 | 120 | WLCSP-12L | MAX14654 MAX14717 SGM40654 SGM40657 |
| BCT7915 | Over-Voltage Protection Load Switch | 30.7 | 4.5 | 7 | 6.8 | 4-20 | 29 | 110 | QFNFC1.8x1.3-12L | MAX14655 SGM40655 SGM40658 |
| BCT7915H | Over-Voltage Protection Load Switch | 30.7 | 4.5 | 7 | 6.8 | 4-20 | 29 | 100 | QFNFC1.8x1.3-12L | MAX14655 SGM40655 SGM40658 |
| BCT7915C | Over-Voltage Protection Load Switch | 30.7 | 4.5 | 7 | 6.8 | 4-20 | 29 | 100 | WLCSP-12L | |



Load Switch

| PART No. | Description | V _{CC} (V) | I _Q (μA) | R _{ON} (mΩ) | I _{LIM} (A) | Over-Current Response (μS) | Quick Auto-Discharge | Response FAULT | Package | Cross Reference |
|----------|---------------------------|---------------------|---------------------|----------------------|----------------------|----------------------------|----------------------|----------------|-----------------------|--|
| BCT6553 | Power Distribution Switch | 2.5-5.5 | 62 | 90 | 1.7 | 2 | YES | YES | SOT23-6 TDFN2x2-6L | TPS2551 TPS2552 TPS2553 TPS25221 SGM2553 |
| *BCT6575 | Power Distribution Switch | 2.5-5.5 | 62 | 90 | 2 | 2 | YES | YES | SOT23-6 WLCSP-4B | SGM2575 |

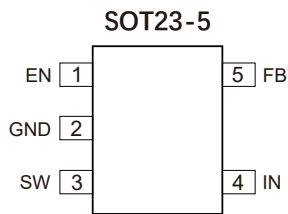
* Please Contact Our Sales Office For More Details



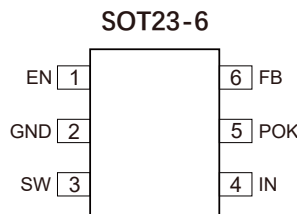
DC-DC Converter

| PART No. | Description | Control | V _{IN} Range (V) | V _{OUT} Range (V) | Efficiency (%) | I _{OUT} (A) | I _Q (uA) | Switch Frequency (KHz) | Package | Cross Reference |
|-------------|-------------------------|---------|---------------------------|----------------------------|----------------|----------------------|---------------------|------------------------|-------------------------------------|------------------------------|
| BCT1721 | 6.0V 1A Buck Converter | ACOT | 2.7-6.0 | 0.6-3.4 | 95 | 1 | 33 | 1000 | SOT23-5 SOT23-6 DFN1.6x1.6-6L | RT8096C |
| BCT1722/B | 6.0V 2A Buck Converter | ACOT | 2.7-6.0 | 0.6-3.4 | 95 | 2 | 33 | 1000 | SOT23-5 SOT23-6 DFN1.6x1.6-6L | RT8097C |
| BCT1810 | 5V 1A Buck Converter | PWM | 2.5-5.5 | 0.6-5 | 95 | 1 | 40 | 1500 | SOT23-5 DFN1.6x1.6-6L | RT8059 NCP1529 |
| BCT1812 | 5V 1.2A Buck Converter | PWM | 2.5-5.5 | 0.6-5 | 95 | 1.2 | 40 | 1500 | SOT23-5 | SGM6012 SGM6018 |
| BCT1814 | 5V 2A Buck Converter | PWM | 2.7-5.5 | 0.6-5 | 95 | 2 | 55 | 1000 | SOT23-5 | SY8089 AX3702 |
| BCT12569A/B | 5V 2A Buck Converter | ACOT | 2.7-5.5 | 0.6-5 | 95 | 2 | 55 | 1000 | SOT563 | TLV62569 MP1605 |
| *BCT1470 | 18V 2A Buck Converter | ACOT | 4.5-18 | 0.768-6.5 | 94 | 2 | 380 | 600 | SOT23-6 | TPS563240 MP1470 |
| BCT1473 | 18V 3A Buck Converter | ACOT | 4.5-18 | 0.768-6.5 | 94 | 3 | 380 | 600 | FCSOT23-6 | TPS563201 |
| BCT1477 | 18V 3A Buck Converter | ACOT | 4.5-18 | 0.768-6.5 | 94 | 3 | 380 | 600 | FCSOT563 | MP1477 MP1660 |
| BCT1451 | 42V 0.6A Buck Converter | PWM | 5-42 | 0.8-24 | 95 | 0.6 | 14 | 1200 | SOT23-6 | SGM61410 MP2457 MP2460 |
| *BCT1452 | 42V 1A Buck Converter | PWM | 5-42 | 0.8-24 | 95 | 1 | 14 | 1200 | SOT23-6 | JW5101 |

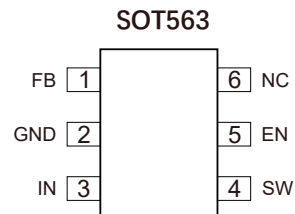
* Please Contact Our Sales Office For More Details



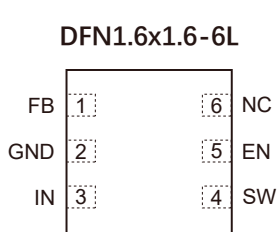
BCT1031/BCT1721/BCT1722/B
BCT1810/BCT1812/BCT1814



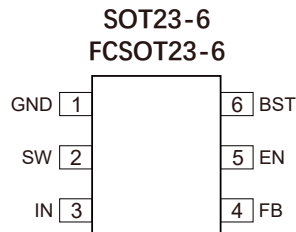
BCT1721/BCT1722/B



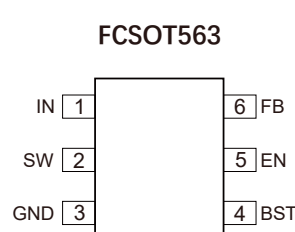
BCT12569A/B



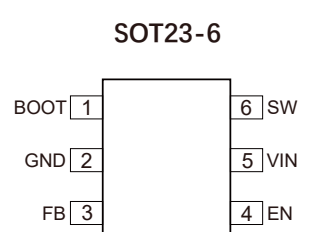
BCT1721/BCT1722/B/BCT1810



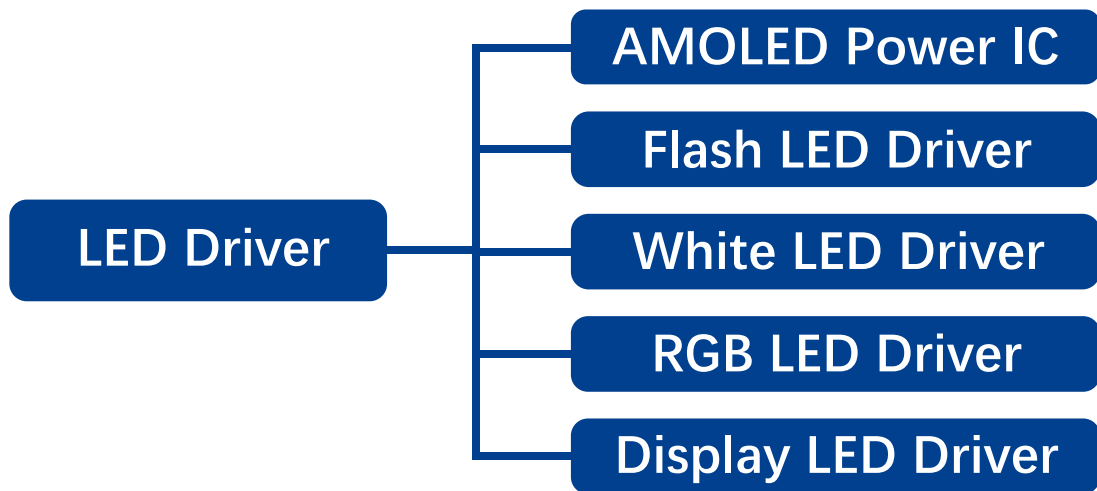
BCT1470/BCT1473



BCT1477



BCT1451/1452



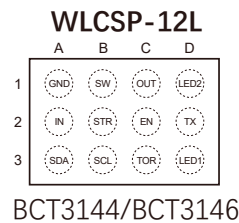
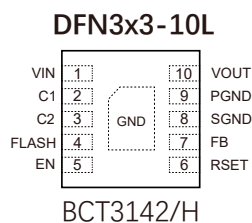
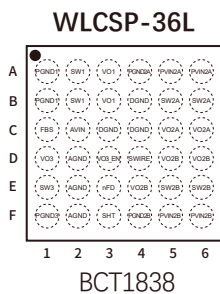
AMOLED Power IC

| PART No. | Description | Output Channel | V _{CC} (V) | EL Output Current Max (mA) | AV Output Current Max (mA) | Outputs | Control Interface | Package | Cross Reference |
|----------|---|----------------|---------------------|----------------------------|----------------------------|--|-------------------|-----------|-----------------|
| *BCT1838 | Triple-output for smart phones and PADS | 3 | 2.5-4.8 | 1000 | 150 | AVDD:5.5v~7.9v ELVDD:4.6v~5.0v ELVSS:-0.8v~-6.0v | 1-wire | WLCSP-36L | |

Flash LED Driver

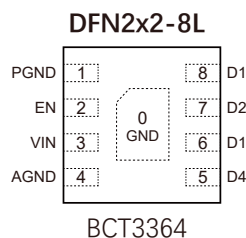
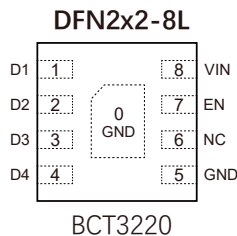
| PART No. | Description | V _{IN} (V) | I _Q (mA) | IOUT-Flash Mode (mA) | IOUT-Torch Mode (mA) | VOUT Turn-on Time (μs) | Freq (MHz) | Mode | Efficiency | Package | Cross Reference |
|------------|--|---------------------|---------------------|----------------------|----------------------|------------------------|------------|-------------|------------|------------|--------------------|
| *BCT3142/H | 1.1A Buck/Boost Charge Pump LED Driver | 2.7-5.5 | 0.4 | 1100 | 400 | 400 | 1.9 | 1X/2X | 92% | DFN3x3-10L | AW3641E |
| BCT3144 | 1.5A x2 Output Flash LED Driver | 2.7-5.5 | 0.6 | 1500 | 748 | - | 2 | FLASH TORCH | 85% | WLCSP-12L | LM3644 OCP81373 |
| BCT3146 | 2.0A x2 Output Flash LED Driver | 2.7-5.5 | 0.6 | 2000 | 1000 | - | 2 | FLASH TORCH | 85% | WLCSP-12L | LM3644 OCP81375 |

* Please Contact Our Sales Office For More Details



White LED Driver (Parallel)

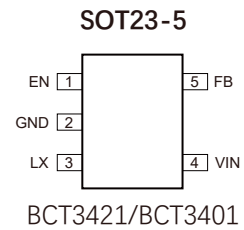
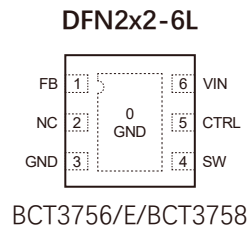
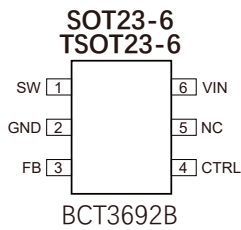
| PART No. | Description | LED connection | V _{CC} (V) | V _{drop} (20mA) (mV) | MAX LED Current/CH (mA) | Bright Level | Current Matching | Package | Cross Reference |
|----------|-------------------------------|----------------|---------------------|-------------------------------|-------------------------|--------------|------------------|-----------|-----------------|
| BCT3220 | 4 Channel 8 Steps LED Driver | Common-Anode | 2.7-5.5 | 55 | 20 | 8 | 1.50% | DFN2x2-8L | |
| BCT3364 | 4 Channel 16 Steps LED Driver | Common-Anode | 2.7-5.5 | 50 | 20 | 16 | 1.50% | DFN2x2-8L | XX9364 |



White LED Driver

| PART No. | Description | Topology | LED Connection | CH | V _{CC} (V) | V _{REF} (mV) | I _{LIM} (mA) | Switching Frequency (KHz) | V _{OVP} (V) | Package | Cross Reference |
|-----------|--|----------|----------------|----|---------------------|-----------------------|-----------------------|---------------------------|----------------------|---------------------|---|
| BCT3692B | High Performance, Asynchronous Boost for 10 WLED Driver | BOOST | PWM | 1 | 2.7-5.5 | 200 | 1500 | 1100 | 38 | SOT23-6 TSOT23-6 | AP3019A RT4533 RT4526 SGM3752 |
| BCT3756/E | WLED Driver with PWM Brightness Control in Small Package | BOOST | PWM | 1 | 2.7-5.5 | 200 | 1500 | 1100 | 38 | DFN2x2-6L | TPS61161A TPS61165 RT4503A SGM3756 |
| BCT3758 | WLED Driver with PWM Brightness Control in Small Package | BOOST | PWM | 1 | 2.7-5.5 | 200 | 2000 | 1100 | 38 | DFN2x2-6L | XX9967 XX9968 |
| *BCT3421 | LED Driver | BUCK | PWM/PFM | 1 | 3.0-5.5 | 100 | 1700 | 1350 | 6.9 | SOT23-5 | TMI5101 ETA3421 |
| BCT3401 | Backlight Driver | BUCK | PWM/PFM | 1 | 2.5-5.5 | 100 | 1800 | 1100 | | SOT23-5 | LN2401 |

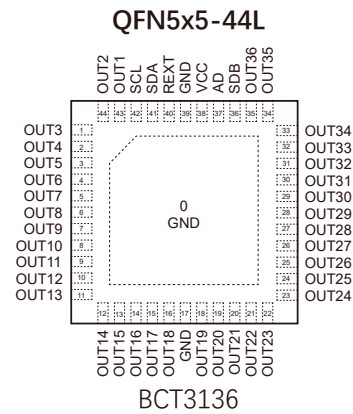
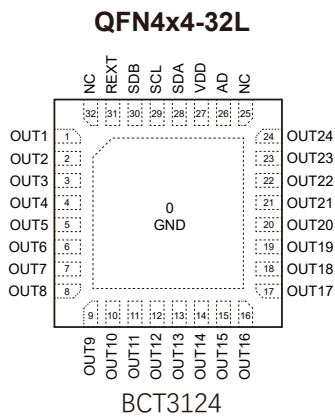
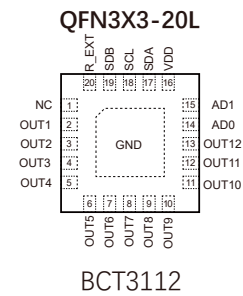
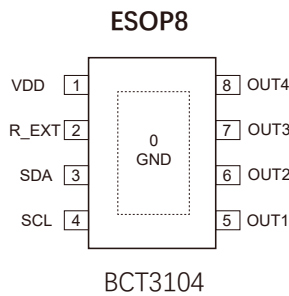
* Please Contact Our Sales Office For More Details



RGB LED Driver

| PART No. | Description | Channels | MAX LED Current/CH (mA) | MAX Output Current Setting | Bright level | Vcc (V) | Control | Current match | Package | Cross Reference |
|-----------------------|----------------------------------|----------|-------------------------|----------------------------|--------------|---------|---------|---------------|------------|-----------------|
| HOT! * BCT3104 | 4ch 256x256 steps CC LED Driver | 4 | 38 | R_EXT | 256x256 | 2.7-5.5 | I2C | - | ESOP8 | |
| HOT! * BCT3112 | 12ch 256x256 steps CC LED Driver | 12 | 38 | R_EXT | 256x256 | 2.7-5.5 | I2C | - | QFN3X3-20L | XX21012 LP5012 |
| HOT! * BCT3124 | 24ch 256x256 steps CC LED Driver | 24 | 38 | R_EXT | 256x256 | 2.7-5.5 | I2C | - | QFN4X4-32L | XX21024 LP5024 |
| HOT! * BCT3136 | 36ch 256x256 steps CC LED Driver | 36 | 38 | R_EXT | 256x256 | 2.7-5.5 | I2C | - | QFN5X5-44L | XX21036 LP5036 |

* Please Contact Our Sales Office For More Details



Display LED Driver

| PART No. | Description (SEG x GRID) | MAX Operating Temp. (°C) | Dots | MAX LED Current/CH (mA) | Bright level | Vcc (V) | Control | Current match | Package | Cross Reference |
|------------|-------------------------------|--------------------------|------|-------------------------|--------------|---------|---------|---------------|---------|-----------------|
| * BCT3620 | 8x6 Dots LED Driver | 85 | 48 | 50 | 8 | 2.7-5.5 | SPI | ±5% | SOP20 | XXX1620 |
| * BCT3620B | 6x7 Dots LED Driver +6x1 keys | 85 | 42 | 50 | 8 | 2.7-5.5 | SPI | ±5% | SOP20 | XXX1620B |

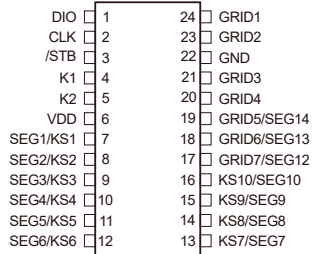
* Please Contact Our Sales Office For More Details

Display LED Driver

| PART No. | Description (SEG x GRID) | MAX Operating Temp. (°C) | Dots | MAX LED Current/CH (mA) | Bright level | V _{CC} (V) | Control | Current Match | Package | Cross Reference |
|------------------------|---------------------------------|--------------------------|------|-------------------------|--------------|---------------------|---------|---------------|-----------------------|-----------------|
| HOT! BCT3668/RE | 10x7 Dots LED Driver +10x2 keys | 85 | 70 | 50 | 8 | 3.0-5.5 | SPI | ±5% | SOP24 SSOP24-0.635 | XXX1668 |
| HOT! BCT1668/T | 10x7 Dots LED Driver +10x2 keys | 85/105🔥 | 70 | 50 | 8 | 3.0-5.5 | SPI | ±5% | SOP24 SSOP24-0.635 | XXX1668 |
| HOT! BCT3628/RE | 10x7 Dots LED Driver +10x2 keys | 85 | 70 | 50 | 8 | 3.0-5.5 | SPI | ±5% | SOP28 | XXX1628 |
| HOT! BCT1628/T | 10x7 Dots LED Driver +10x2 keys | 85/105🔥 | 70 | 50 | 8 | 3.0-5.5 | SPI | ±5% | SOP28 | XXX1628 |

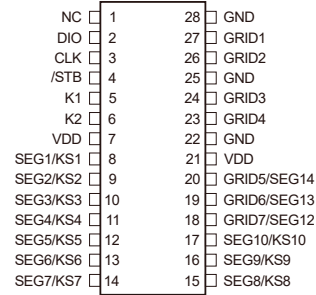
* R: pull up resistor;T:105°C

SOP24 SSOP24-0.635



BCT3668/RE
BCT1668/T

SOP28

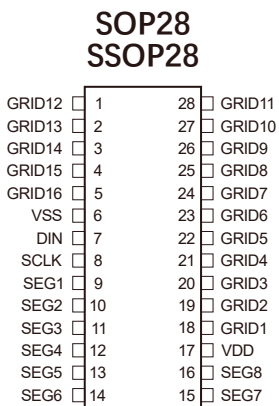
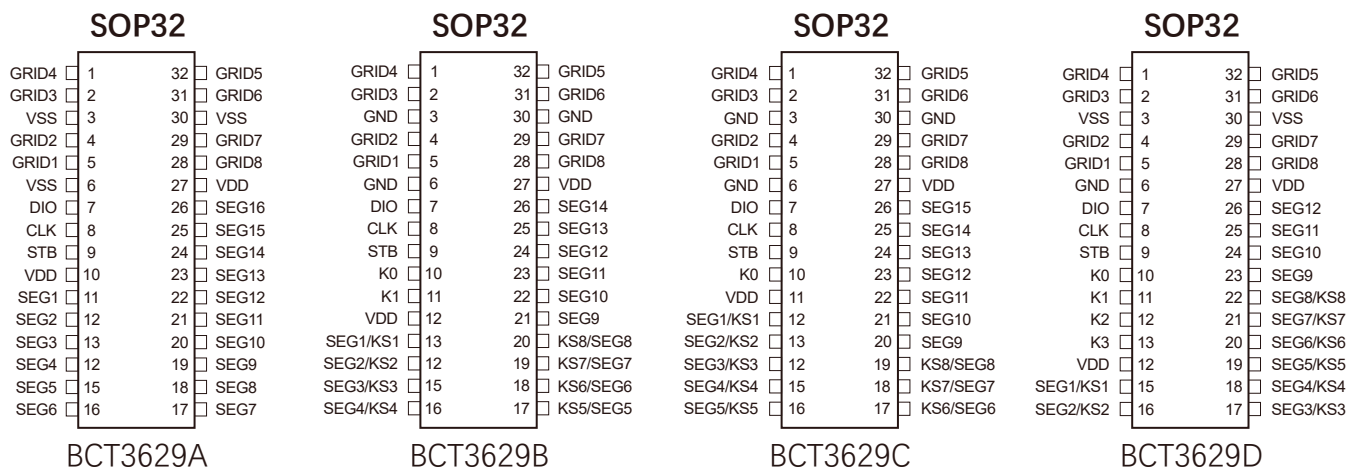


BCT3628/RE
BCT1628/T

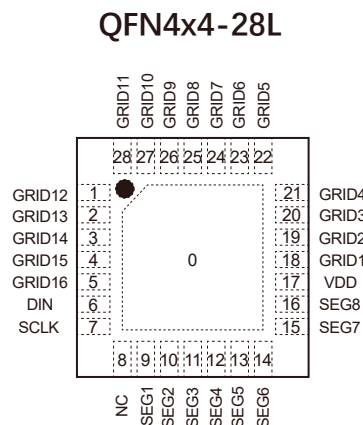
Display LED Driver

| PART No. | Description (SEG x GRID) | MAX Operating Temp. (°C) | Dots | MAX LED Current/CH (mA) | Bright level | Vcc (V) | Control | Current match | Package | Cross Reference |
|--------------------------|-----------------------------------|--------------------------|------|-------------------------|--------------|---------|---------|---------------|-------------------------------|-----------------|
| *BCT3640/N | 8x16 Dots LED Driver | 85 | 128 | 50 | 8 | 3.0-5.5 | SPI | - | SOP28 SSOP28 QFN4x4-28L | XXX1640 |
| HOT! BCT1640/T | 8x16 Dots LED Driver | 85/105 [🔥] | 128 | 50 | 8 | 3.0-5.5 | SPI | - | SOP28 SSOP28 | XXX1640 |
| *BCT3629A | 16x8 Dots LED Driver | 85 | 128 | 50 | 8 | 3.0-5.5 | SPI | ±5% | SOP32 | XXX1629A |
| *BCT3629B | 14x8 Dots LED Driver +8x2 keys | 85 | 112 | 50 | 8 | 3.0-5.5 | SPI | ±5% | SOP32 | XXX1629B |
| *BCT3629C | 15x8 Dots LED Driver +8x1 keys | 85 | 120 | 50 | 8 | 3.0-5.5 | SPI | ±5% | SOP32 | XXX1629C |
| *BCT3629D | 12x8 Dots LED Driver +8x4 keys | 85 | 96 | 50 | 8 | 3.0-5.5 | SPI | ±5% | SOP32 | XXX1629D |

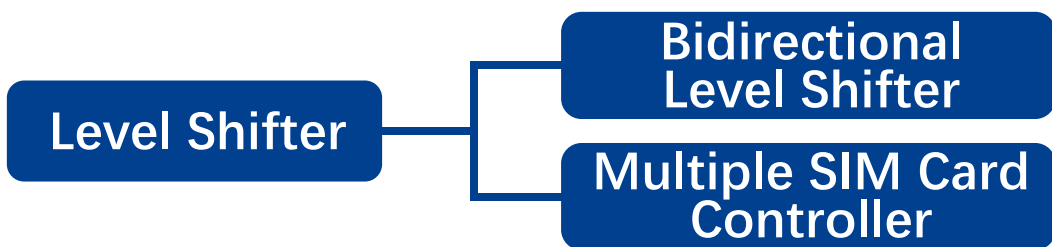
* Please Contact Our Sales Office For More Details;"N" stands for "low-noise"



BCT3640/N
BCT1640/T



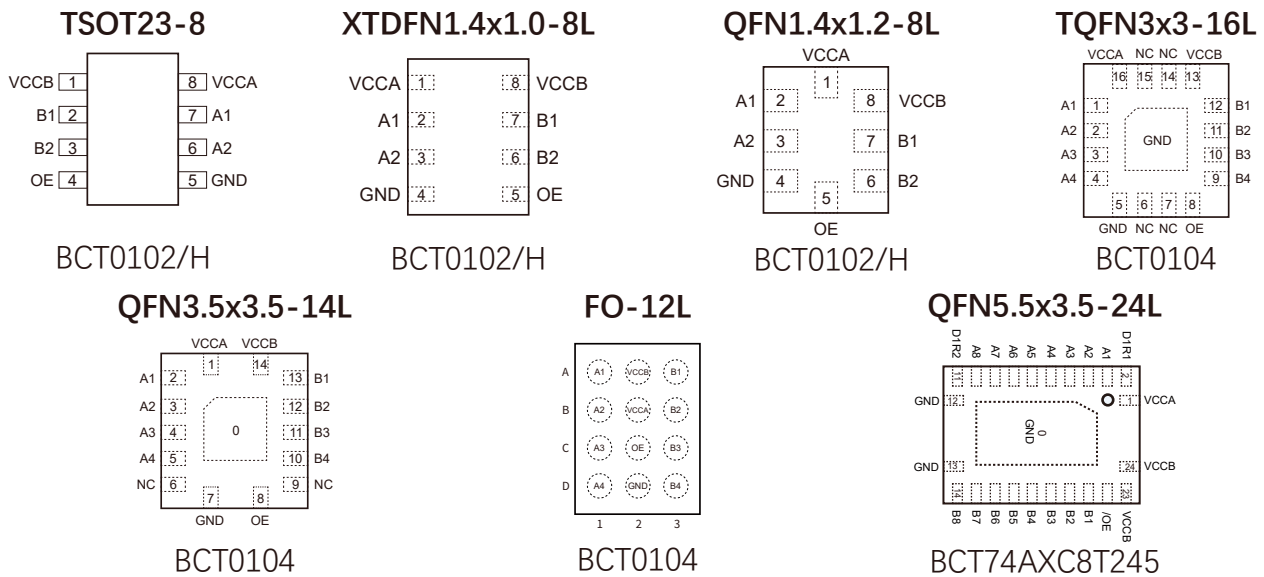
BCT3640/N



Bidirectional Level Shifter

| PART No. | Description | Vref_A(Min) (V) | Vref_B(Min) (V) | I _Q (uA) | I _o /Continuous Current (mA) | Max Data (Mbps) Rate | No. of Bits | Package | Cross Reference |
|--------------------|-----------------------------------|--------------------|--------------------|------------------------|---|----------------------------|----------------|--|-----------------------|
| BCT0102 | 2Bit Bidirectional Level-Shifting | 1.65 | 2.3 | 7.1 | ±50 | 24 | 2 | TSOT23-8 QFN1.4x1.2-8L XTDFN1.4x1.0-8L | TXS0102 SGM4556 |
| *BCT0102H | 2Bit Bidirectional Level-Shifting | 1.1 1.65 | 2.3 | 7.1 | ±50 | 24 | 2 | TSOT23-8 QFN1.4x1.2-8L XTDFN1.4x1.0-8L | |
| BCT0104 | 4Bit Bidirectional Level-Shifting | 1.65 | 2.3 | 7.1 | ±50 | 24 | 4 | FO-12L TQFN3x3-16L QFN3.5x3.5-14L | TXS0104E FXMAR2104 |
| *BCT74AX C8T245 | 8Bit Bidirectional Level-Shifting | 0.8 | 0.8 | 7.1 | ±50 | 380 | 8 | QFN5.5x3.5-24L | SN74AX C8T245 |
| *BCT74AX C2T245 | 2Bit Bidirectional Level-Shifting | 0.8 | 0.8 | 7.1 | ±50 | 380 | 8 | TSSOP8 | SN74AX C2T245 |

* Please Contact Our Sales Office For More Details

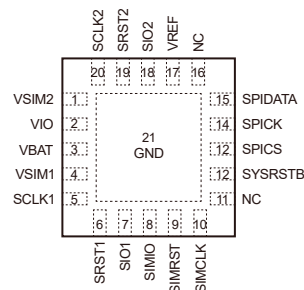


Multiple SIM Card Controller

| PART No. | Description | V _{IN} (V) | Operating Current (uA) | V _{IO} Operating Voltage (V) | SIM Card Supplies (V) | Output Current Limit (mA) | SCLK Frequency (MHz) | Package | Cross Reference |
|----------|--------------------------|------------------------|------------------------------|---|-----------------------------|---------------------------------|----------------------------|------------|--------------------|
| BCT4302B | Dual SIM Card Controller | 2.7-5.5 | 30 | 1.65-5.5 | 1.8/3.0 | 38 | 5 | QFN3x3-20L | MT6302 |

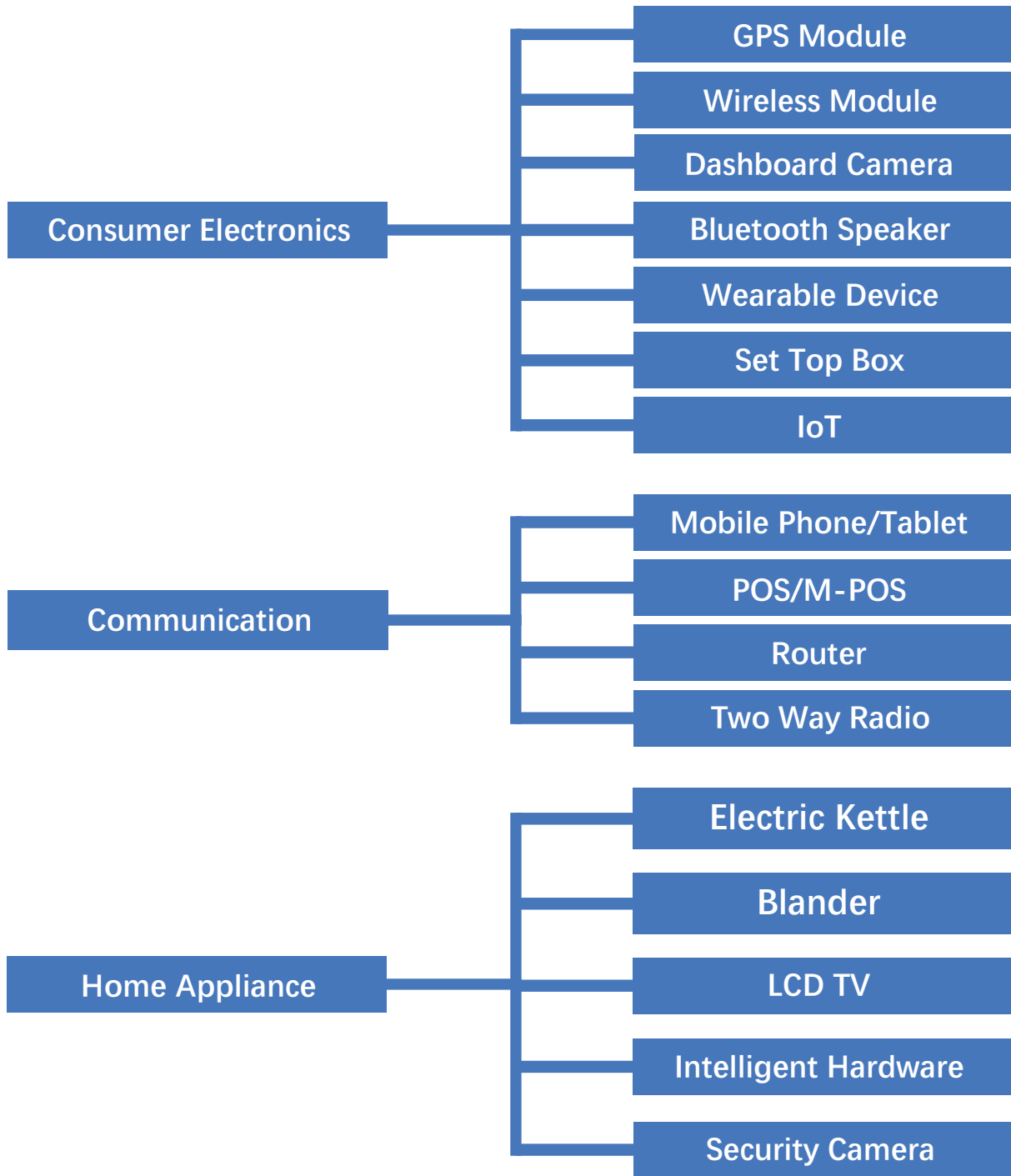
* Please Contact Our Sales Office For More Details

QFN3x3-20L

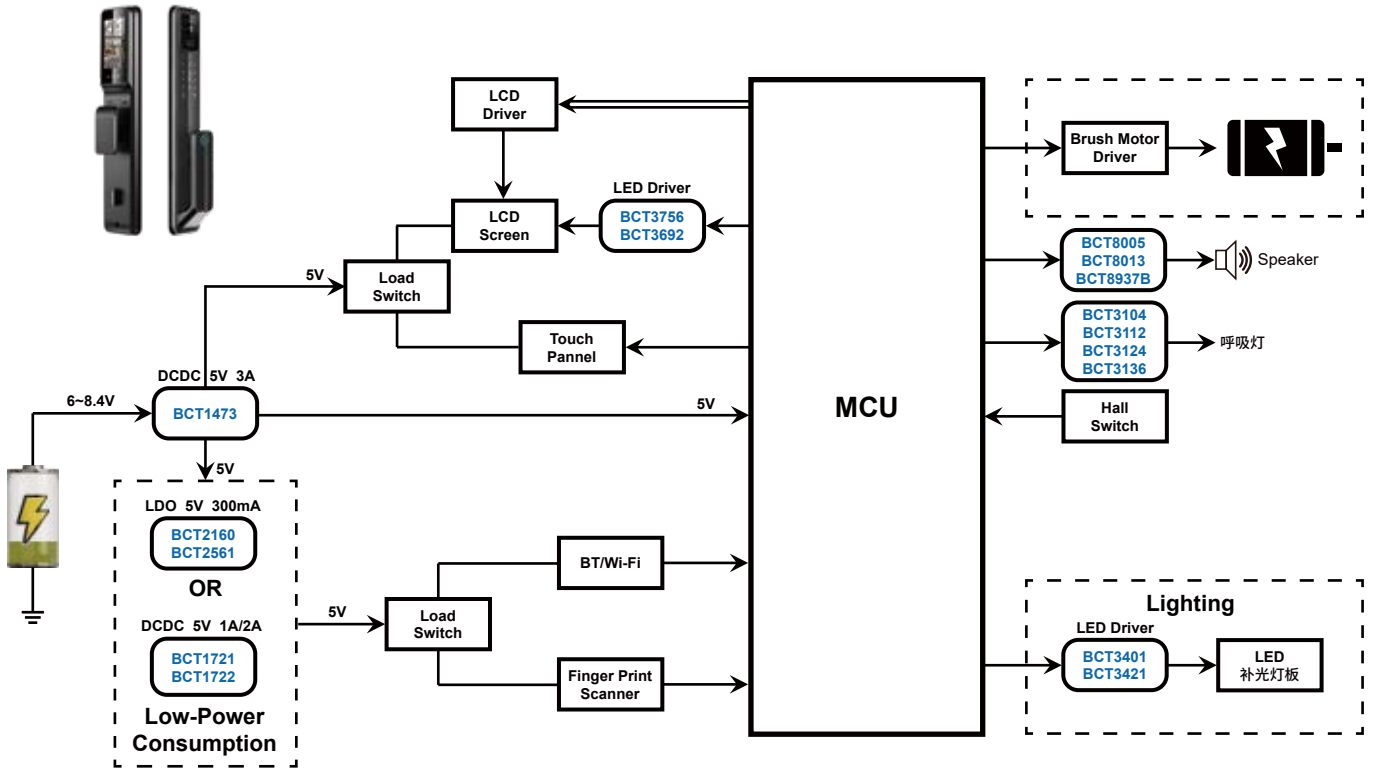


BCT4302B

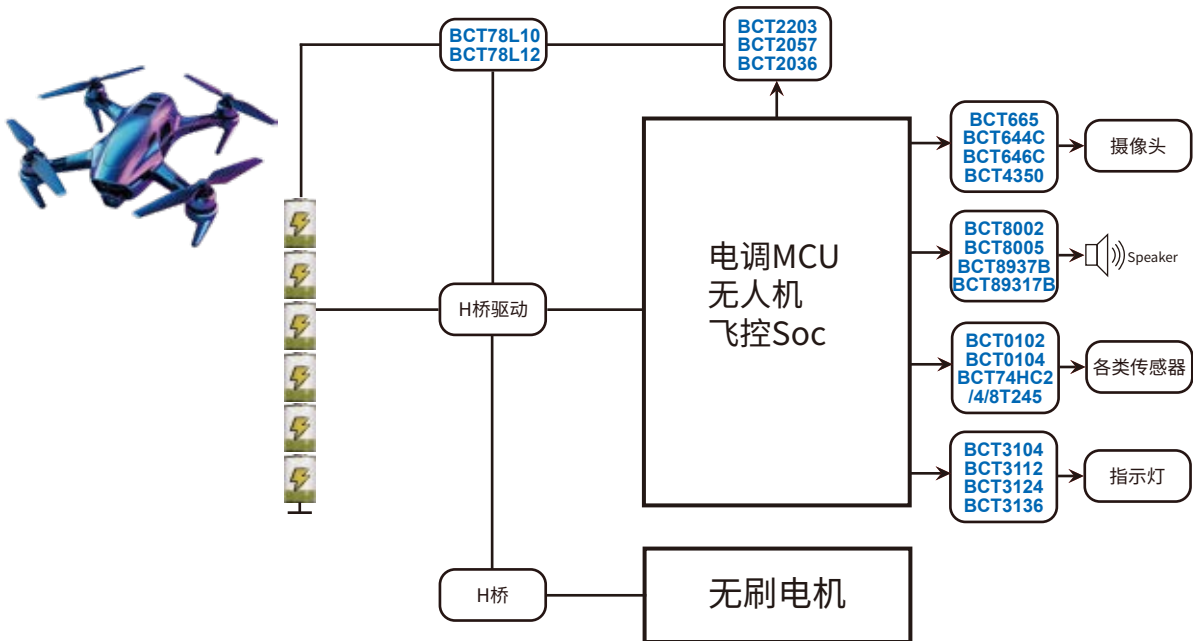
Broadchip Total Solutions



Smart Door Lock Solutions



Drone Solutions



BCT3756

8-Bit Bidirectional Level Shifting

BCT2601D

3A Single-Cell Li-Ion Switching Charger

BCT78L10

3uA IQ High Voltage Regulators

BCT3640

8x16 Dots LED Driver

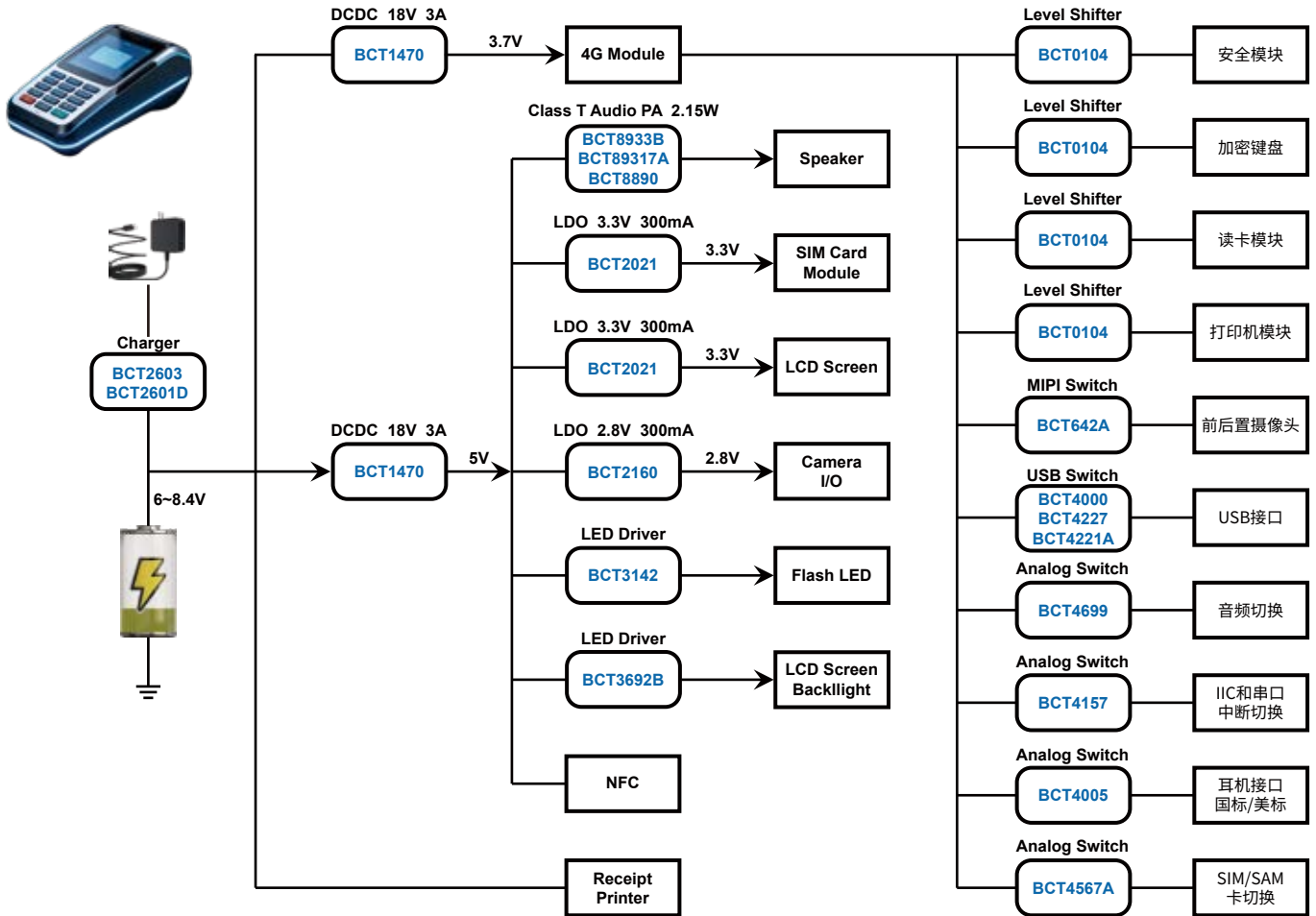
BCT3112

Over-Voltage Protection Load Switch

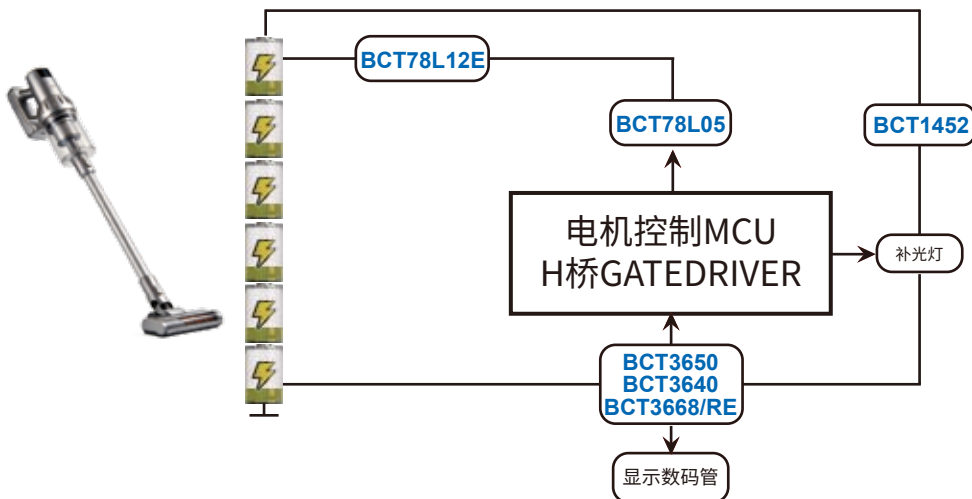
BCT4350

USB 3.1 SuperSpeed 10 Gbps Switch

Smart POS Solutions



Handheld Vacuum Cleaner Solutions



BCT4000
High-Speed DPDT Analog Switch With OVP

BCT4005
Ultra Low ON-Resistance, Low Voltage,
Dual, SPDT Analog Switch

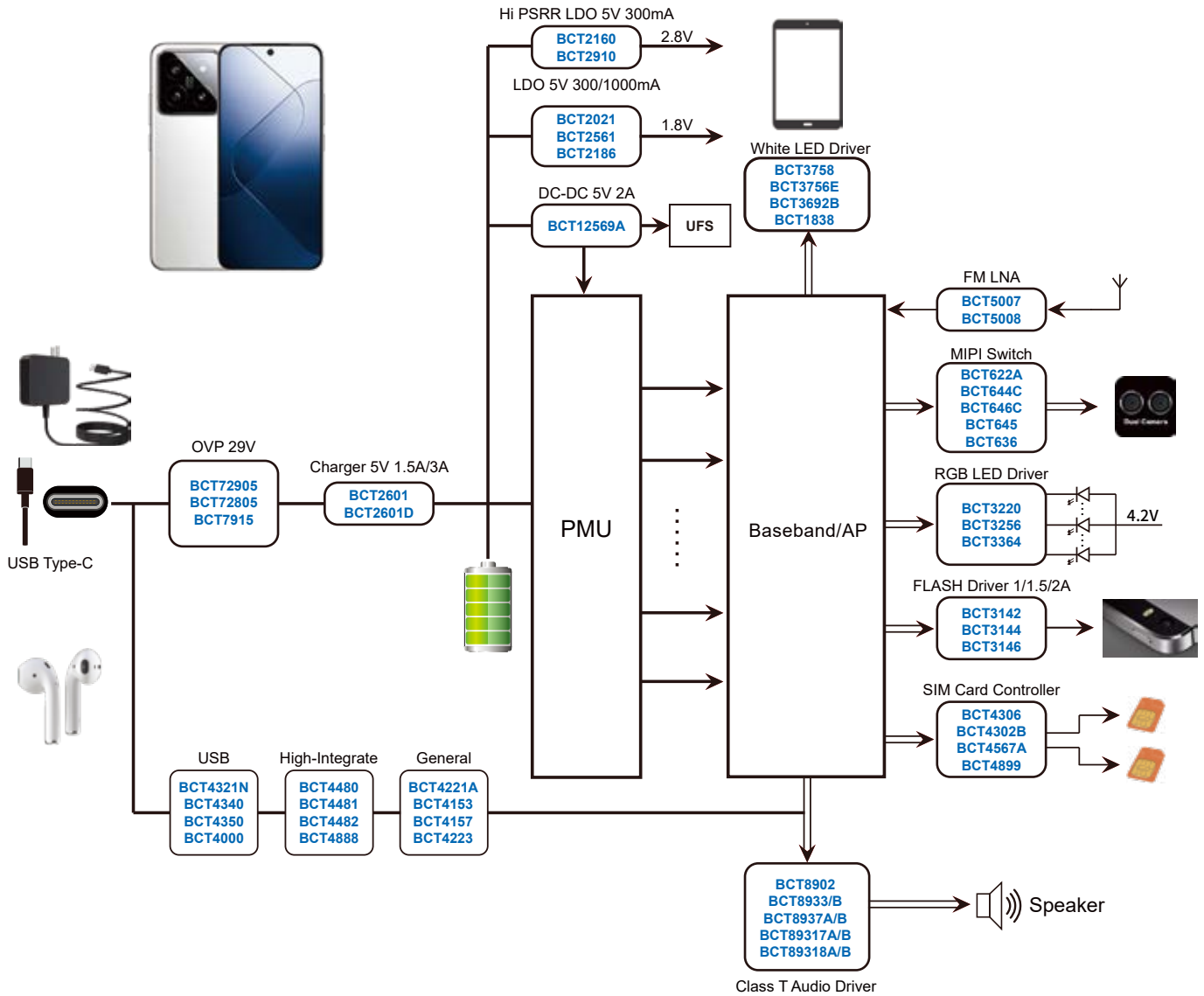
BCT4567A
Low-Power, Dual SIM Card Analog Switch

BCT4227
High-Speed DPDT Analog Switch

BCT3650
LED Display Driver IC

BCT78L12E
3uA IQ High Voltage Regulators

Mobile Phone Solutions



BCT3758

WLED Driver with PWM Brightness Control and Flash Mode

BCT1838

Triple-output for smart phones and PADs

BCT4480

USB Type-C Analog Switch with Protection Function

BCT2021

300mA Low IQ Dropout Regulators

BCT2186

1000mA Ultra Low Dropout Regulators

BCT3756E/BCT3692B

PWM Control LED Driver 38V High Efficiency, Boost WLED Driver with PWM Control

BCT2160/BCT2910

Ultra Low Noise and High PRSS LDO Regulators

BCT644C

2:1 MIPI D-PHY (2.5Gbps) 4-Data Lane Switch

BCT646C

2:1 MIPI D-PHY, C-PHY (4.5Gbps) 4-Data Lane Switch (0.35Pitch)

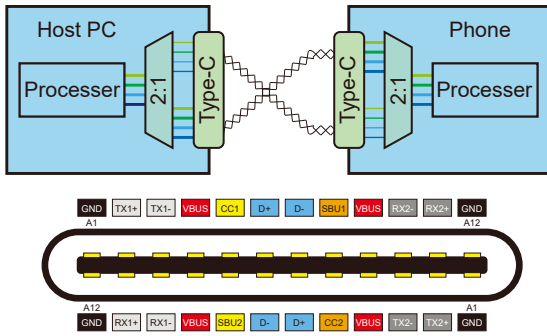
BCT89318A/B

High Efficiency, Low Noise, Ultralow Distortion, Constant Large Volume Class T Audio Amplifier

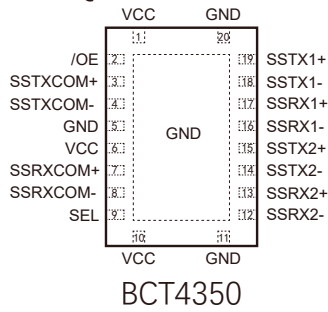
BCT8933B

High Power, Low THD+N Class T Audio Amplifier

Analog Switch



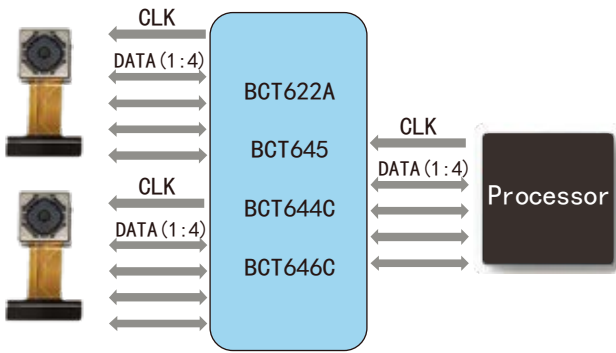
TQFN4.5x2.5-20L



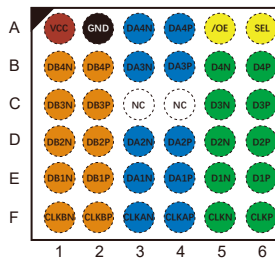
BCT4350 - USB3.2 SuperSpeed 10 Gbps Switch

Features

- 10 GHz Typical Bandwidth
- USB 3.2 SuperSpeed 5Gbps and 10 Gbps Switch
- -1.0 dB Typical Insertion Loss at 2.5 GHz
- Wide VDD Operating Range, 1.5 V-5.0 V
- Low Active Power of 12 μ A Typical
- 2 kV HBM ESD Protection
- Low Shutdown Power of < 1 μ A Max
- Small Package, TQFN 4.5x2.5-20L



FO-36L

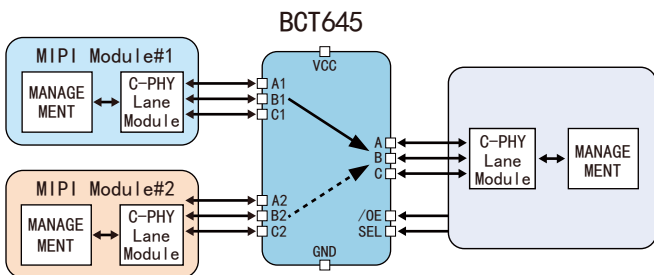


BCT646C

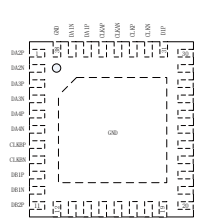
BCT646C - 2:1 MIPI D-PHY(4.5Gbps) 4-Data Lane Switch

Features

- Singal Types: MIPI D-PHY, C-PHY
- Ron: 6.5 Ω Typial HS MIPI / 6.5 Ω Typial LP MIPI
- -3dB Bandwidth: 4.5GHz Typical
- ICC: 35uA Maximum
- Con: 1.5pF
- 36-Ball FO-36L Package



QFN4x4-38L



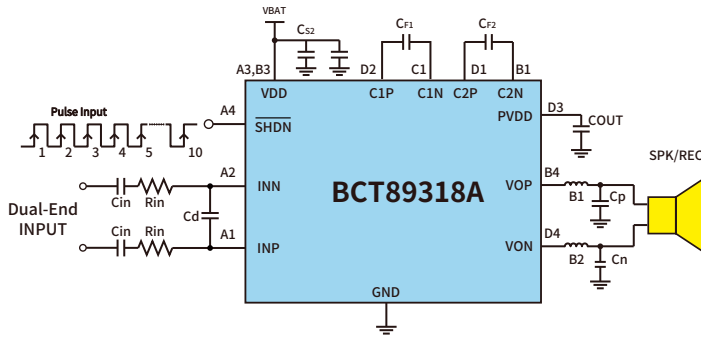
BCT645

BCT645 - 2:1 MIPI C-PHY(2.5Gbps) 4-Data Lane Switch

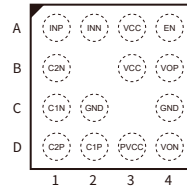
Features

- Singal Types: SPDT(10x)
- Ron: 7.0 Ω Typial
- -3dB Bandwidth: 2.5GHz Typical
- I_o: 12uA Maximum
- Con: 5.0pF
- QFN4x4-38L Package

Audio Amplifier



WCSP-14L



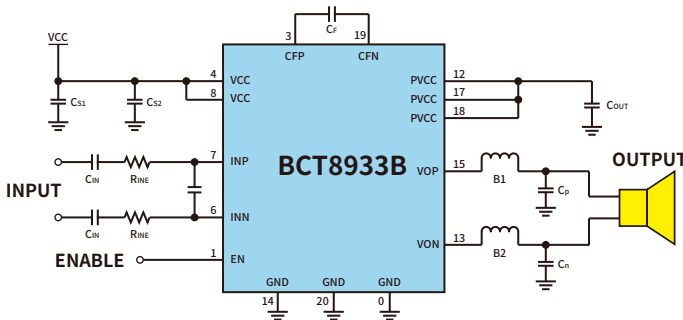
BCT89318A



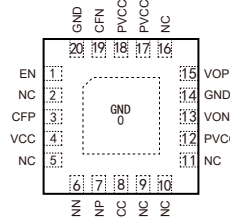
BCT89318A-High efficiency, Low noise Class T Audio Amplifier

Features

- Class T Audio Amplifier
- Low noise: 43µV
- Selectable speaker-protection power level: 2.15W (Max Po-8Ω)
- ESD protection: ±6kV (HBM)
- Receiver: 3V/V, Vn=22µV, THD+N=0.01%
- Excellent pop-click suppression
- One wire pulse control
- Small 0.4mm pitch 1.58mm×1.63mm, WCSP-14L package



QFN3X3-20L



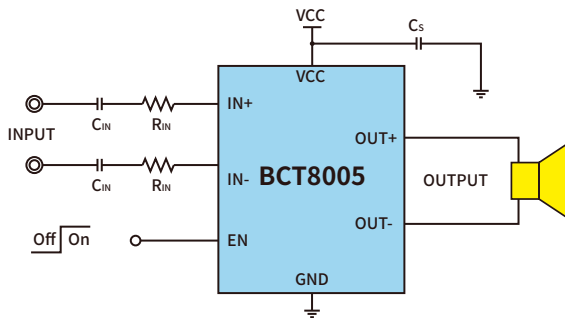
BCT8933B



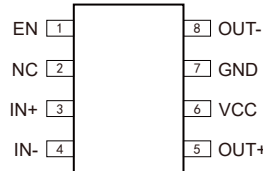
BCT8933B-High Power, Low THD+N Class T Audio Amplifier

Features

- Digital Power Modulation audio algorithm
- 2.0W into 8Ω at 4.2V(10% THD+N)
- Ultra-Low THD+N: 0.03%
- 4 Mode selected by one-wire pulse
- High PSRR:-70dB
- Short Circuit and Thermal Protection
- ±8KV HBM ESD
- Small 3mm×3mm 20-Pin QFN Package



SOP8



BCT8005

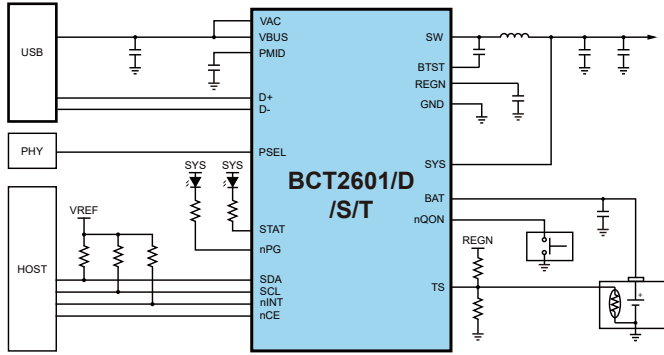


BCT8005-2.8W Mono Filter-less Class-D Audio Amplifier

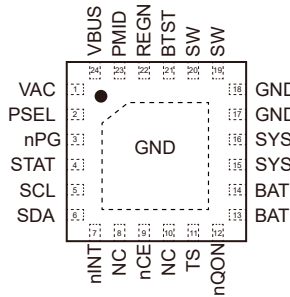
Features

- Supply voltage range: 2.8V to 5.5V
- Support single-ended or differential analog input
- Low Quiescent Current
- Low Output Noise
- Low shut-down current
- Short power-on transient time
- Short-circuit protection
- Over-temperature protection
- Internal pull-low resistor on shut-down pins
- 1.67W/ch into 8Ω loudspeaker
- >3W/ch into 4Ω loudspeaker
- Loudspeaker power within 10% THD+N
- Loudspeaker efficiency 93% @ 8Ω, THD+N=10%, 85% @ 4Ω, THD+N=10%
- Integrated Feedback Resistor of 300kΩ

Charger

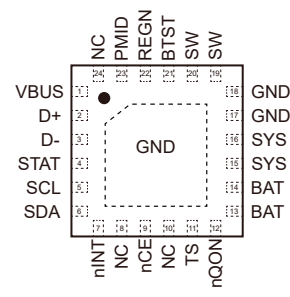


QFN4x4-24L



BCT2601

QFN4x4-24L

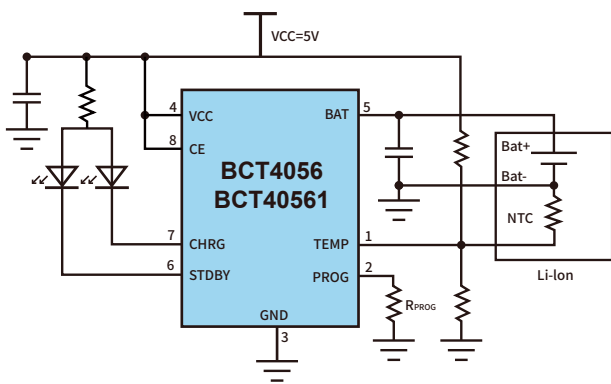


BCT2601D/S/T

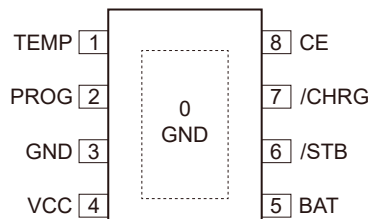
BCT2601/D/S/T - 3A Single-cell Li-Ion Switching Charger with USB-OTG Boost

Features

- Auto Detect USB BC1.2,SDP,CDP,DCP and Non-Standard Adaptors
- High Efficiency 1.5MHz Synchronous Buck Charger
- 20V Absolute Maximum Input Voltage Rating
- Boost Converter with up to 1.2A Output
- 3.9V to 13.5V Operating Input Voltage Range
- 91% Charge Efficiency at 2A from 5V Input
- Output Short Circuit Protection



ESOP8



BCT4056/BCT40561

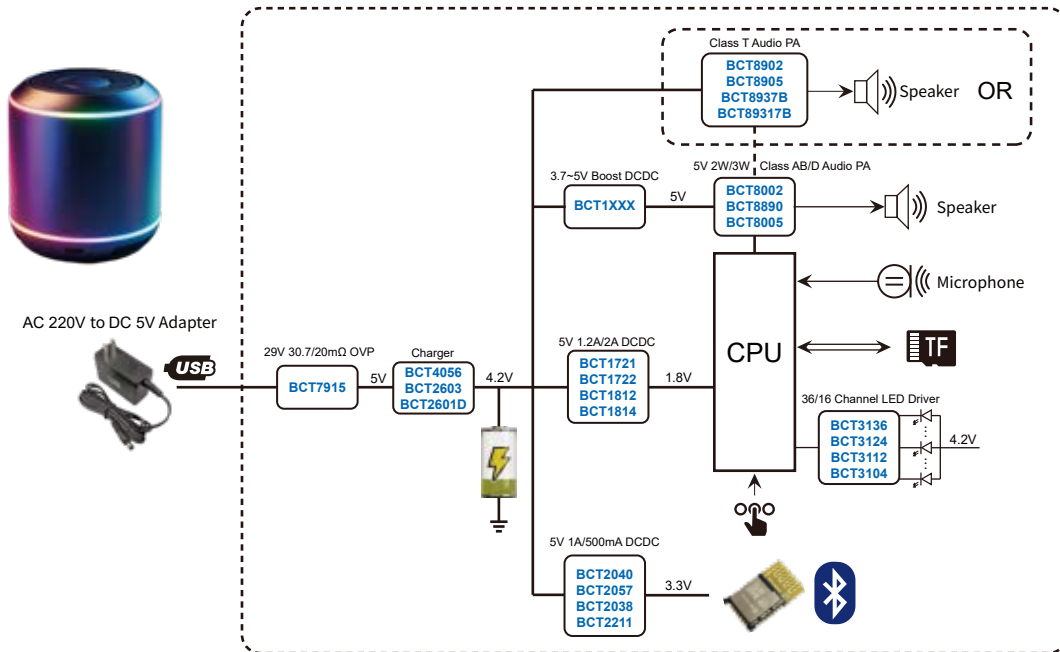


BCT4056/40561 - 1.0A Single-Cell Li-Ion Linear

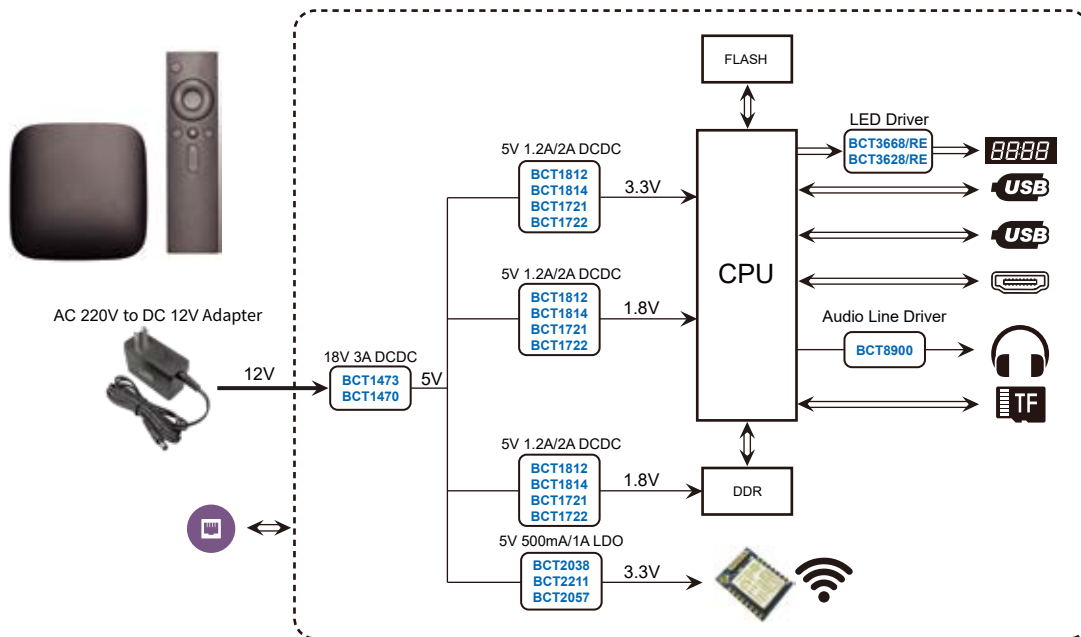
Features

- Integrated Power FETs for Up To 1.0A Charge Current
- Charge Termination Voltage: 4.2V(Typ.), 4.35V(Typ.)
- Standby Current: 55uA(Typ.)
- C/10 Charge Termination
- 6.5V Maximum Operating Input Voltage
- Programmable Charge Current
- Trickle Charge Voltage: 2.9V(Typ.)/28V

Bluetooth Music Box Block Diagram



Set Top Box Block Diagram



BCT1470

18V 2A Buck Converter

BCT1814

5V 2000mA 1MHz Synchronous Step-Down Converter

BCT2038

5V 500mA Low Dropout Linear Regulators

BCT2057

5V 1000mA Low Dropout Linear Regulators

BCT3668/RE

70 Channels LED Driver With Slope Lighting Mode

BCT3124

24-Channel 256 Steps Constant-Current LED Driver

BCT8002/BCT8002H

Low-Cost, Mono 1.5W(RL=8Ω) Class AB Audio Power Amplifier

BCT8005

Low-Cost, Mono 1.67W(RL=8Ω) Class D Audio Power Amplifier

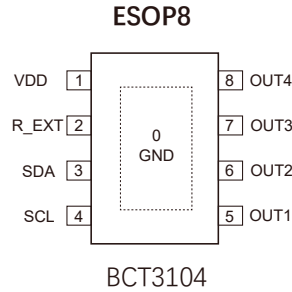
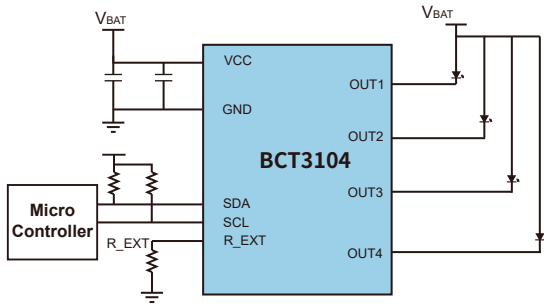
BCT8937B/BCT89318A

High Efficiency, Low Noise Class T Audio Amplifier

BCT7915

Over-Voltage Protection Load Switch

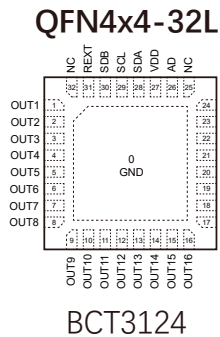
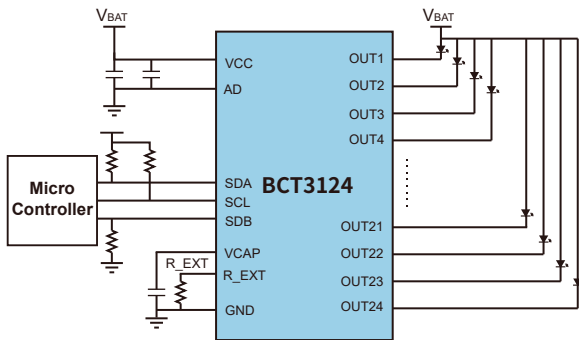
RGB LED Driver



BCT3104 - 4 CHANNELS LED Driver With Auto Slope Lighting Function

Features

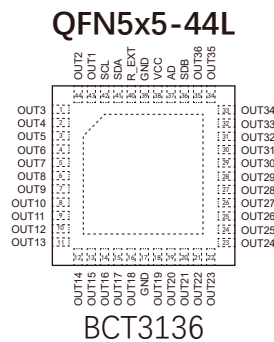
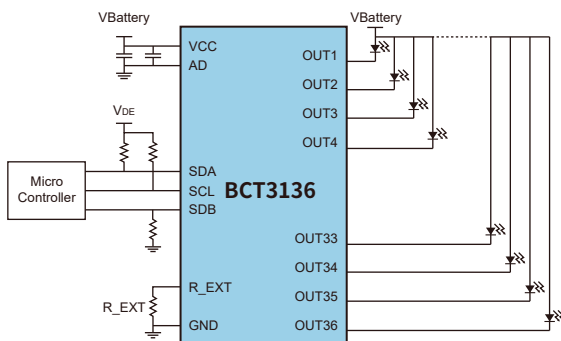
- 2.7V to 5.5V supply
- 8 bits PWM Duty, Internal reset register
- Modulate LED brightness with 256 levels
- Each channel can be controlled independently
- -40°C to +85°C temperature range
- ESOP8



BCT3124 - 24 CHANNELS LED Driver with slope lighting function

Features

- 2.7V to 5.5V supply
- I2C interface, automatic address increment function
- Internal reset register
- Modulate LED brightness with 256 levels
- Each channel can be controlled independently
- -40°C to +85°C temperature range
- QFN4x4-32L (4mm × 4mm)



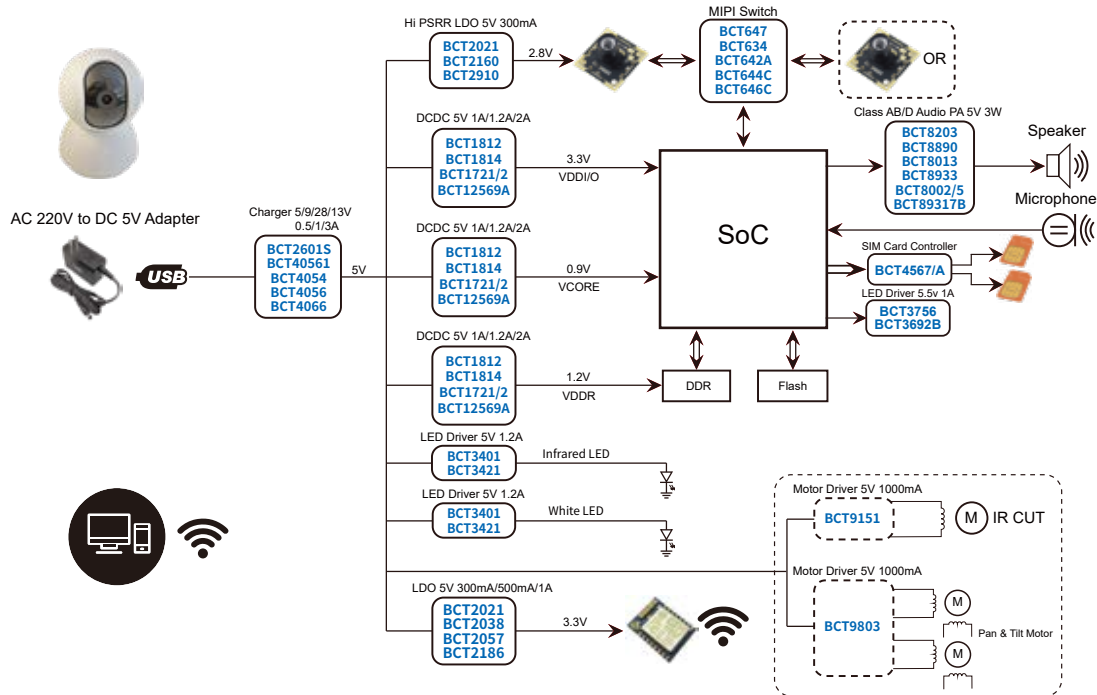
BCT3136 - 36 CHANNELS LED Driver with slope lighting function

Features

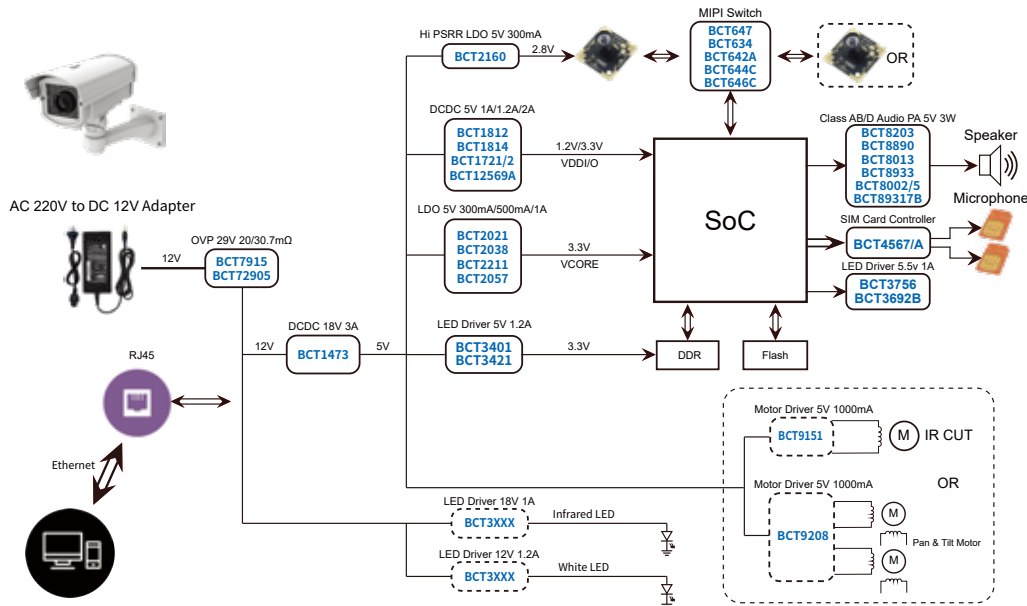
- 2.7V to 5.5V supply
- I2C interface, automatic address increment function
- Internal reset register
- Modulate LED brightness with 256 levels
- Each channel can be controlled independently
- 8 bits PWM Duty
- -40°C to +85°C temperature range
- QFN5x5-44L (5mm × 5mm)

Security Camera Solution

Smart WiFi Pan&Tilt Camera Block Diagram



Network Camera Block Diagram



BCT1473
3A 600KHz Synchronous Step-Down Converter

BCT2021
5V 300mA Low Dropout RF-Linear Regulators

BCT2038
5V 500mA Low Dropout Linear Regulators

BCT2057
5V 1000mA Low Dropout Linear Regulators

BCT3421
5V 1200mA DC-DC Converters-Backlight Driver

BCT8002/BCT8002H
Low-Cost, Mono 1.5W(RL=8Ω) Class AB Audio Power Amplifier

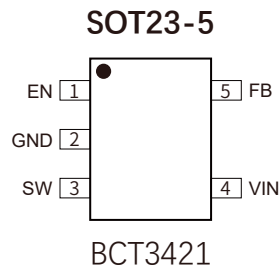
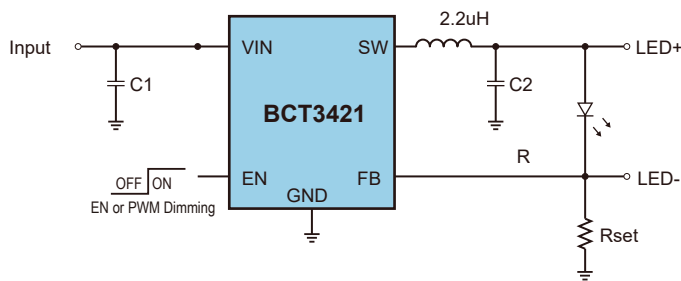
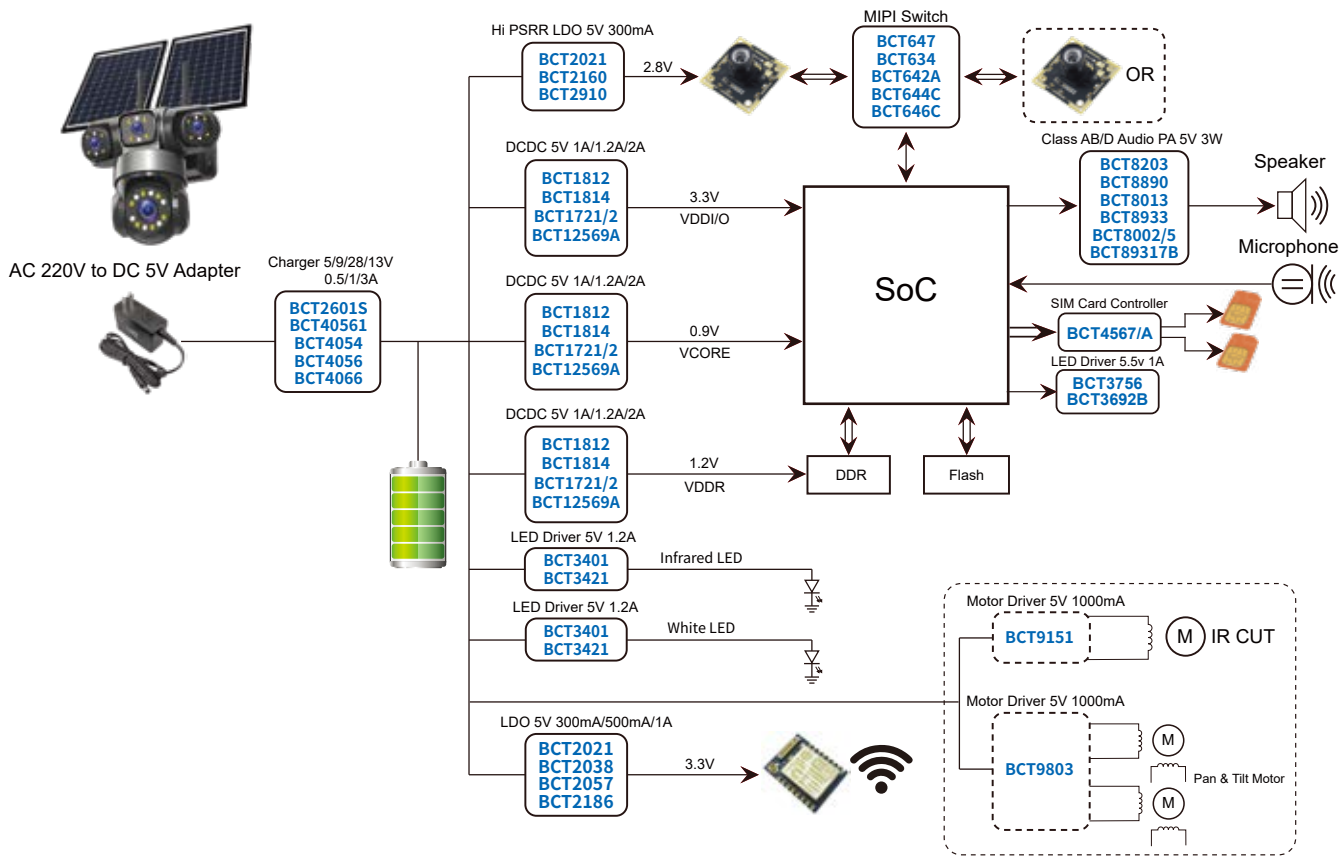
BCT8005
Low-Cost, Mono 1.67W(RL=8Ω) Class D Audio Power Amplifier

BCT8933/BCT8933B
High Efficiency, Low Noise Class T Audio Amplifier

BCT8722
1MHz, 60uA, Rail to Rail I/O CMOS Operational Amplifier

BCT7915
Over-Voltage Protection Load Switch

Security Camera Solution

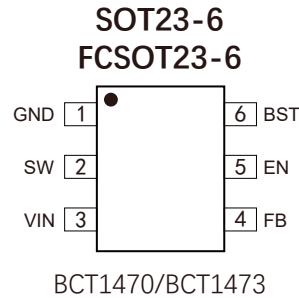
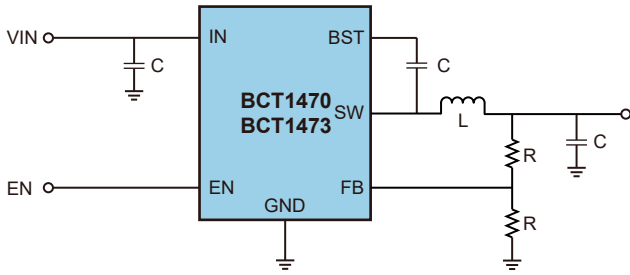


BCT3421 - 1A, High Efficiency -LED Driver

Features

- Up to 90% efficiency
- 1.35MHz Switching Frequency
- 0.1V FB Voltage
- True PWM Current Program
- Open LED Protection
- Short LED Protection
- Input UVLO and Over voltage 6.9 V Protection
- Thermal Protection
- Internal soft-start
- SOT23-5 Packages

DC-DC/LED Driver/Charger

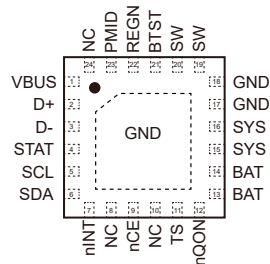


BCT1473 - 18V 3A Peak, 600kHz Synchronous, Step-Down Converter With ACOT Mode

Features

- Wide 4.7V to 18V Operating Input Range
- 90mΩ/50mΩ Internal NFET Efficiency: up to 94%
- ACOT Control with Fast Transient Response
- Pulse-Skip Mode
- Short-circuit Protection
- FCSOT23-5 Packages
- 600kHz Switching Frequency
- Cycle-by-Cycle Current Limit
- Internal Soft Start 1ms
- Startup from Pre-Biased Output Voltage
- Thermal Shutdown

QFN4x4-24L



BCT2601S

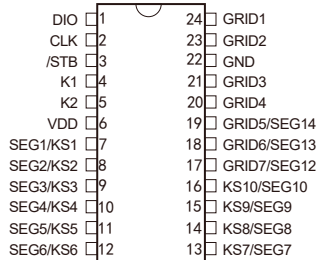


BCT2601S - 3A 1-Cell Buck Battery Charger

Features

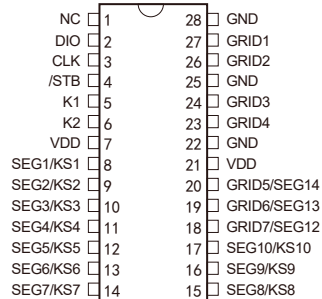
- 3.9V to 13.5V Operating Input Voltage Range
- Up to 24V Sustainable Voltage
- High Efficiency, 1.5MHz, Synchronous Buck Charger
- USB On-The-Go (OTG) Support (Boost Mode)
- 2.5μA Ship Mode Low Battery Leakage Current
- Auto Detect USB BC1.2, SDP, CDP, DCP and Non-Standard Adaptors
- High Battery Discharge Efficiency with 26mΩ Switch
- Ship Mode, Wake-Up and Full System Reset Capability by Battery FET Control

SOP24



BCT3668/RE

SOP28



BCT3628/RE

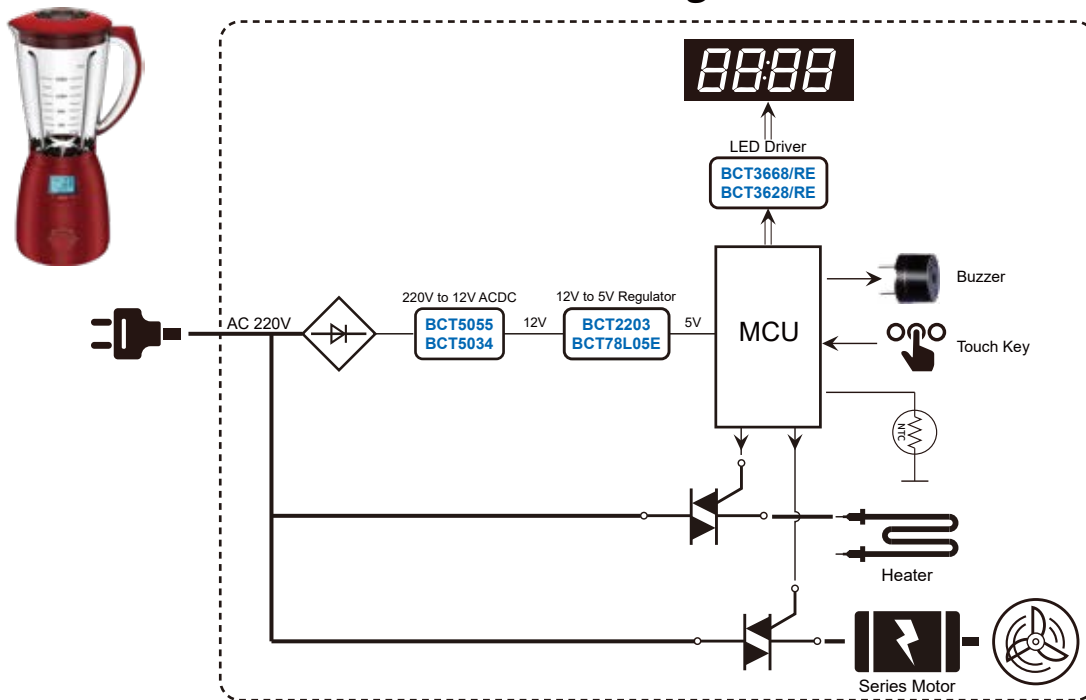


BCT3668/RE/3628/RE - 70 Channels LED Driver With Slope Lighting Mode

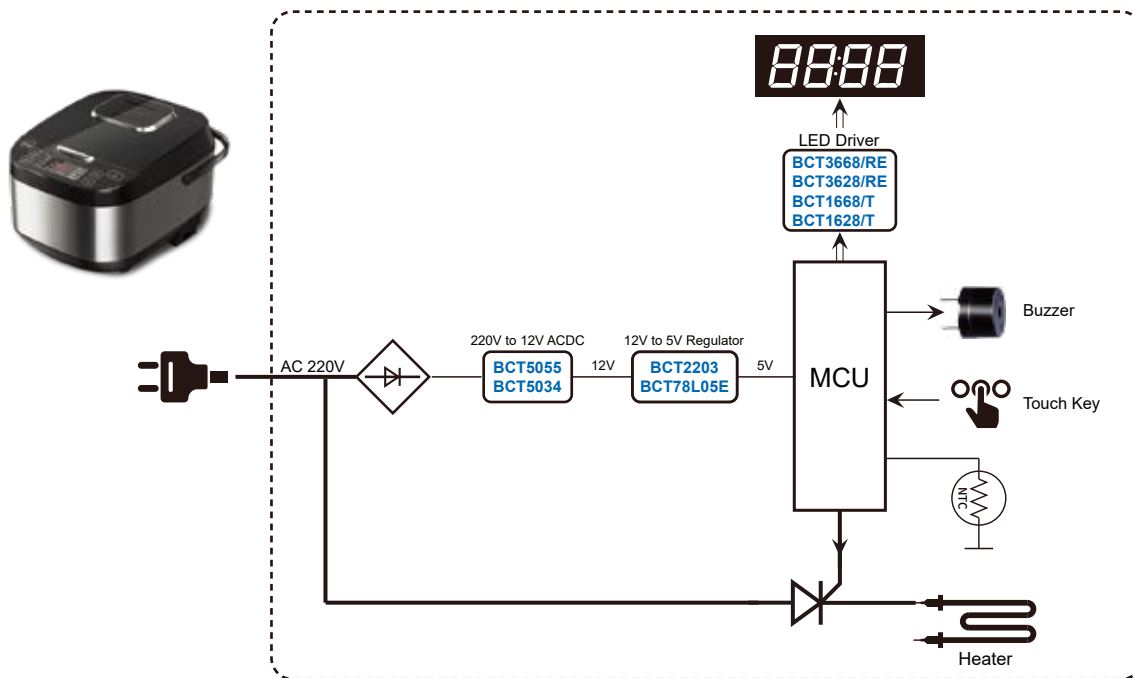
Features

- Wide operation Voltage: 3.0V to 5.5V
- Serial Interface
- 8-Step/256-Step Dimming Circuitry
- Built in OSC generator
- Pulse Segment Current: 50 mA type
- Key scanning: 10 × 2 matrix
- Operation Temperature: -40 to 85°C

Blender Block Diagram



Electric cooker Block Diagram



BCT5034

AC 220V to DC 12V 200mA Non-isolation Converter

BCT78L05E

5V 150mA High Voltage Regulator

BCT2203

150mA High Voltage Regulator

BCT8002/BCT8002H

Low-Cost, Mono 1.5W(RL=8Ω) Class AB Audio Power Amplifier

BCT3668/RE

70 Channels LED Driver With Slope Lighting Mode

BCT3628/RE

70 Channels LED Driver With Slope Lighting Mode

BCT3124

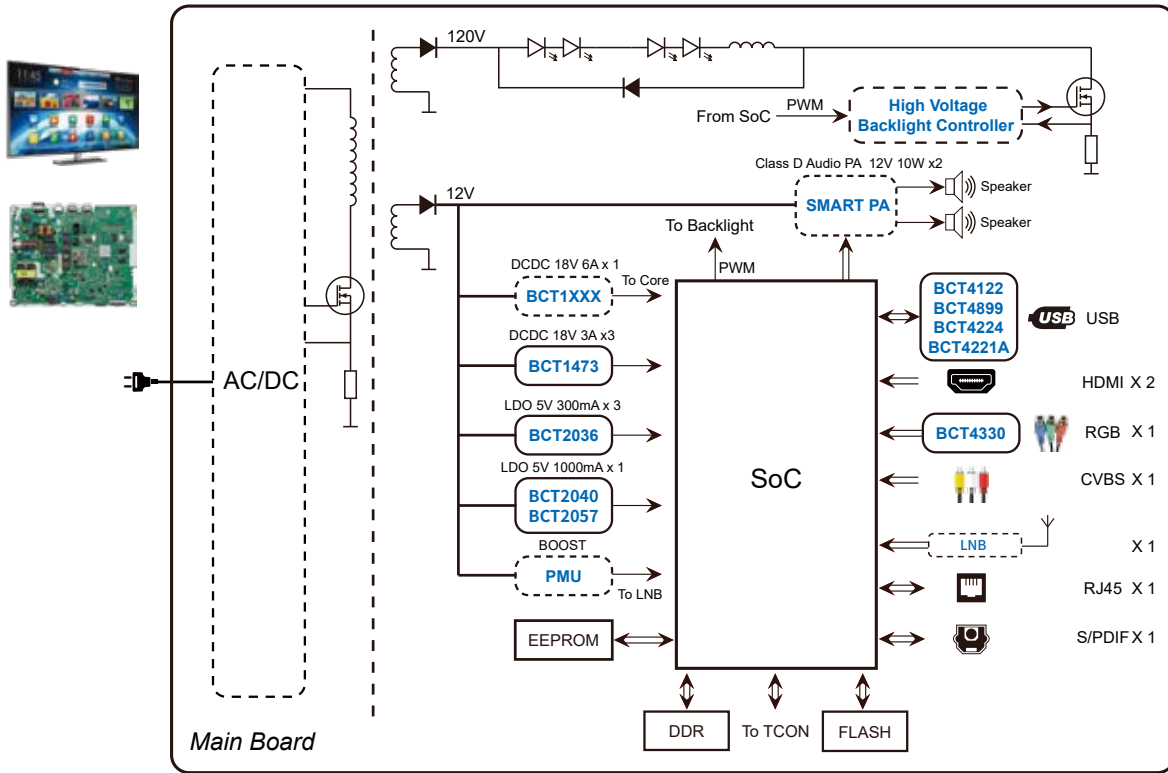
24-Channel 256 Steps Constant-Current LED Driver

BCT1668/T

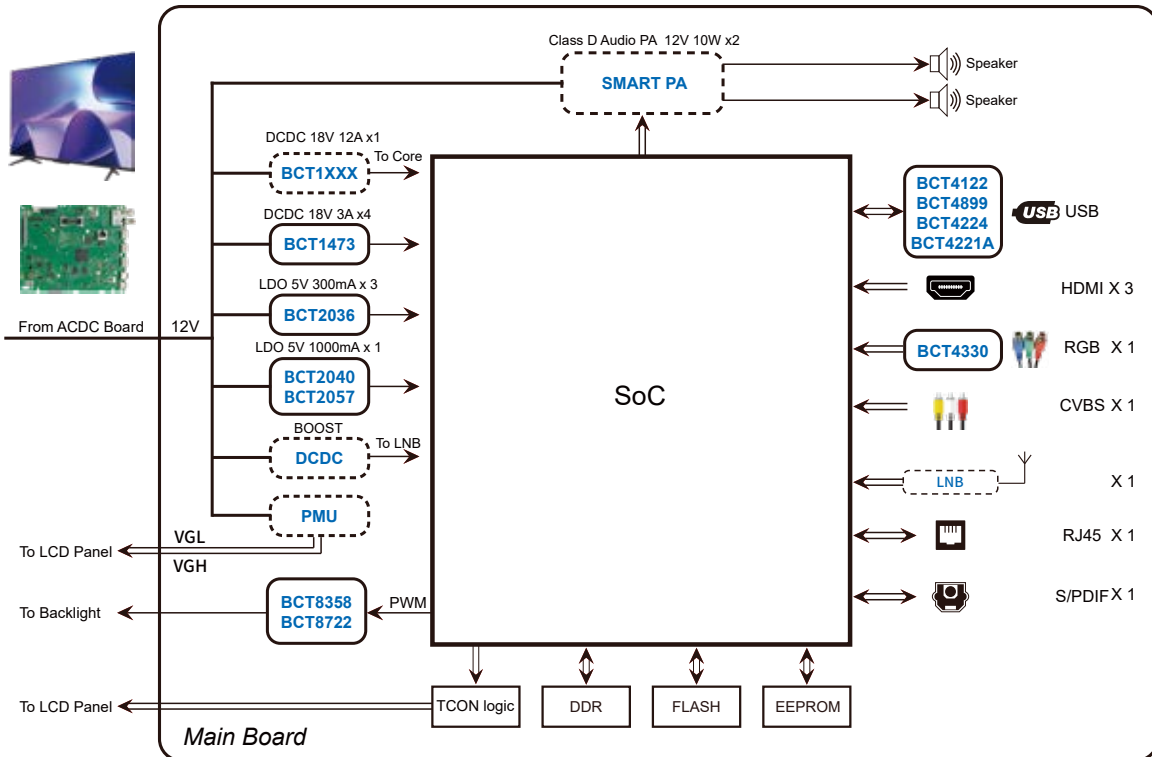
70 Dots LED Driver +20 keys

LCD TV

43" Smart TV MainBoard (CPU+AC/DC+Backlight 3in1) Block Diagram



50" Smart TV MainBoard (CPU+TCON 2in1) Block Diagram



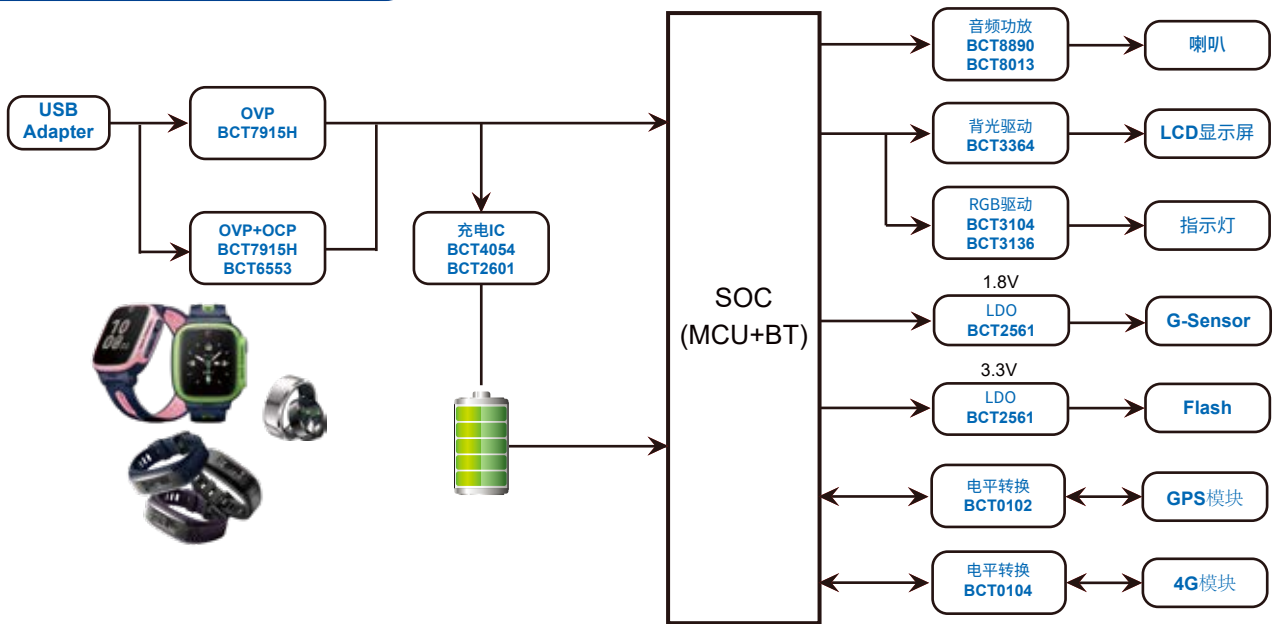
BCT1473
18V 3A 600KHz Synchronous Buck Converter

BCT8358
2 Channel RRIO 1MHz CMOS Amplifier

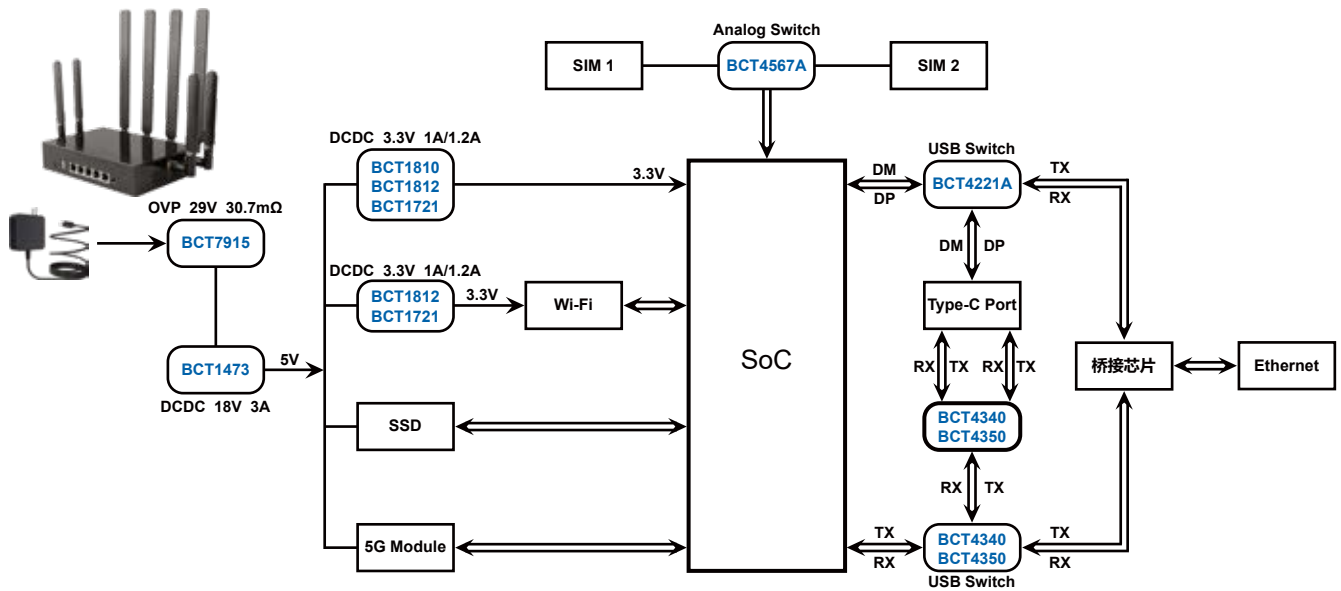
BCT2036
300mA Low IQ Low Dropout Regulators

BCT2040
1000mA Low Dropout Regulators

Wearable Devices



CPE Block Diagram



BCT7915

Over-Voltage Protection Load Switch

BCT6553

Power Distribution Switch

BCT4054

0.7A Li-Ion Linear Charger management

BCT2601

3A Single-Cell Li-Ion Switching Charger with
USB-OTG Boost Regulator

BCT1810/BCT1812

5V 1A Buck Converter

BCT8013

Low-Cost, Mono 2.8W Audio Power Amplifier

BCT3364

4 Channel 16 Steps LED Driver

BCT3104

24-Channel 256 steps Constant-Current LED Driver

BCT3136

36-Channel 256 steps Constant-Current LED Driver

BCT2561

2uA IQ, Low Dropout Linear Regulators

Volume Class T Audio Amplifier

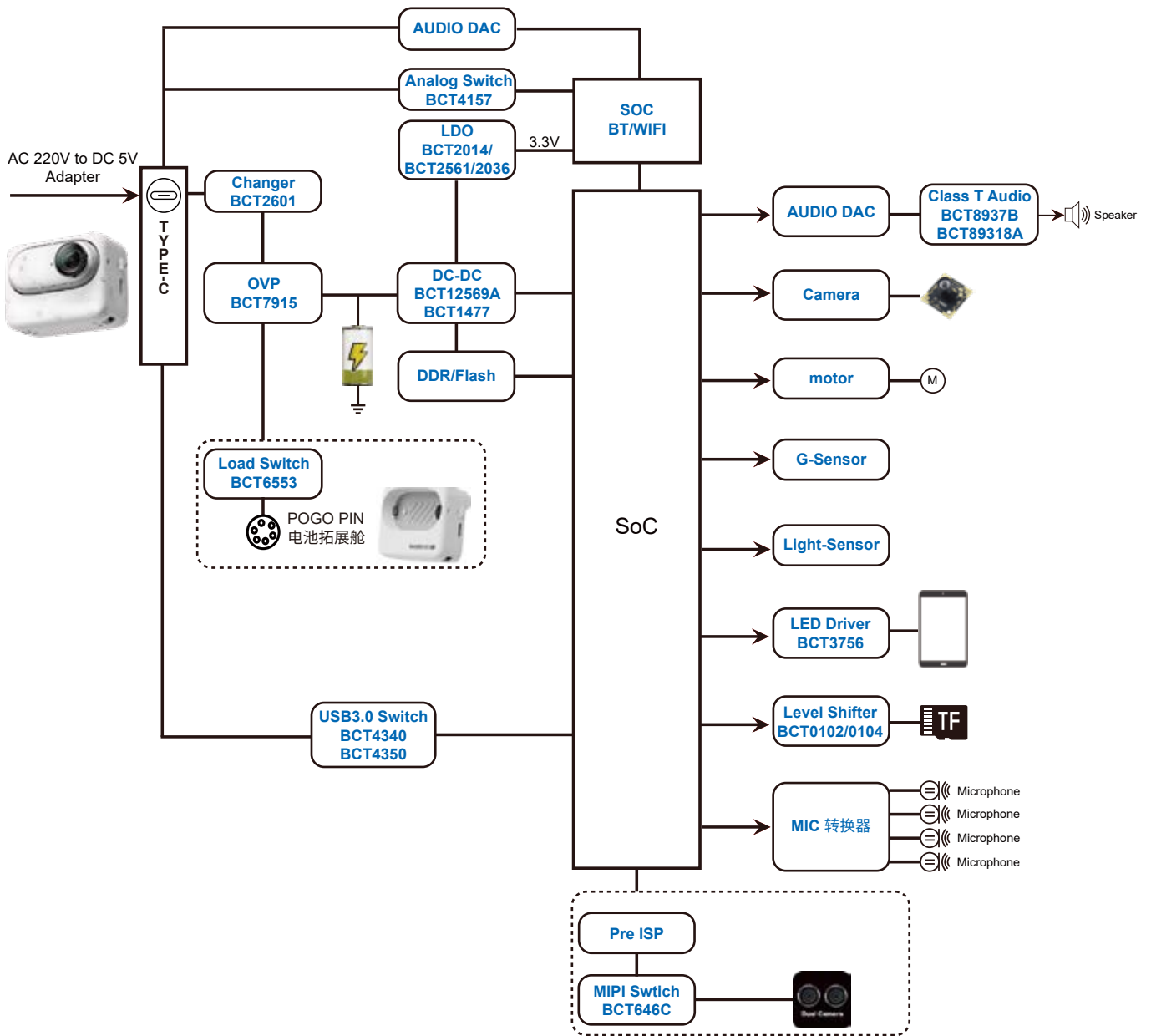
BCT0102

2-Bit Bidirectional Level-Shifting

BCT0104

4-Bit Bidirectional Level-Shifting

Sports Camera



BCT4157

Low-Voltage, 300MHz Analog Switch
Driver with PWM Control

BCT2014

0.7uA IQ Low Dropout Regulators

BCT2036

300mA Low IQ Dropout Regulators

BCT2561

2uA IQ Low Dropout Regulators

BCT12569A

5V 2A Buck Converter

BCT4340/BCT4350

USB3.1 Super Speed 10 Gbps Switch

BCT1477

18V 3A Buck Converter

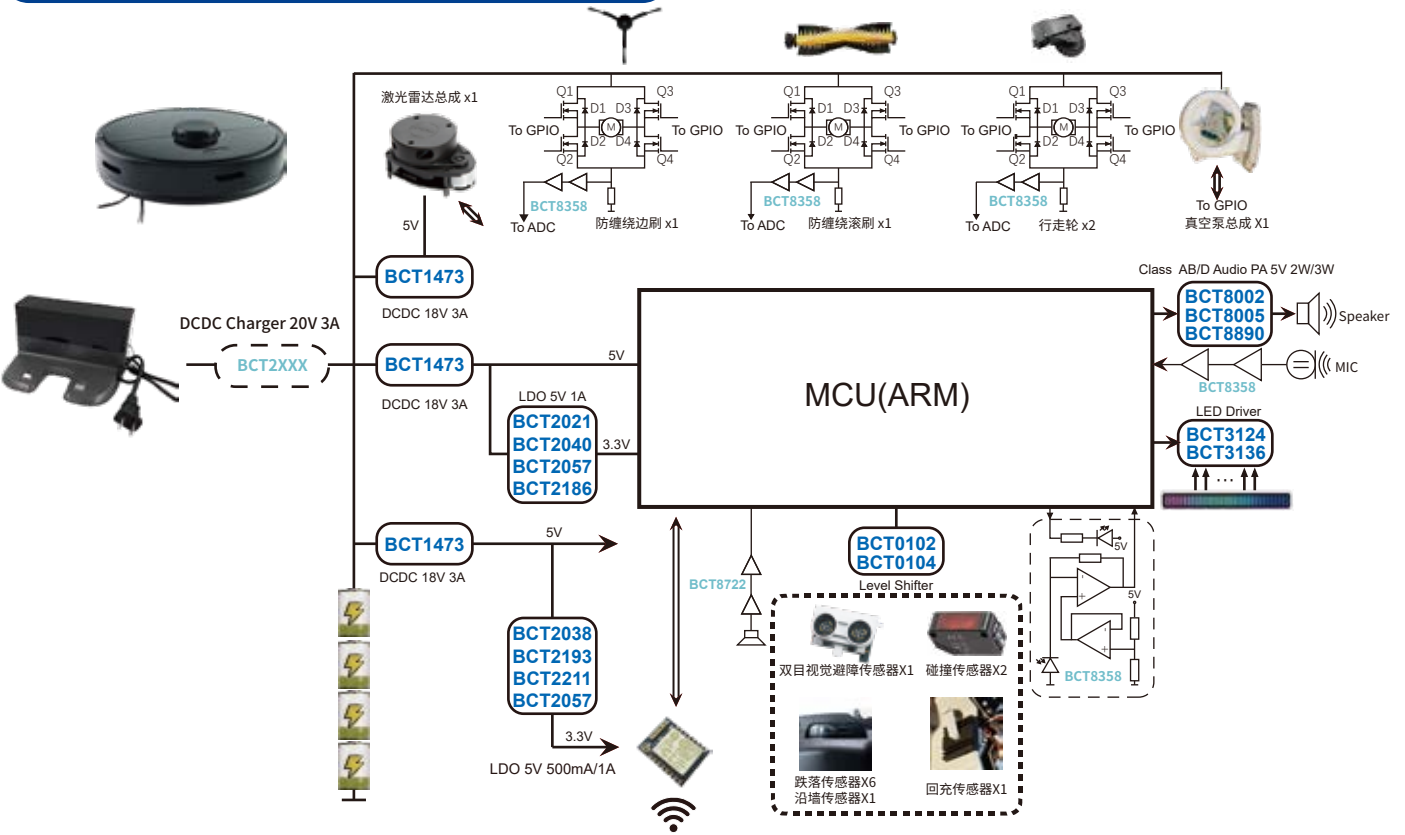
BCT646C

2:1 MIPI D-PHY, C-PHY (4.5Gbps) 4-Data Lane Switch (0.35Pitch)

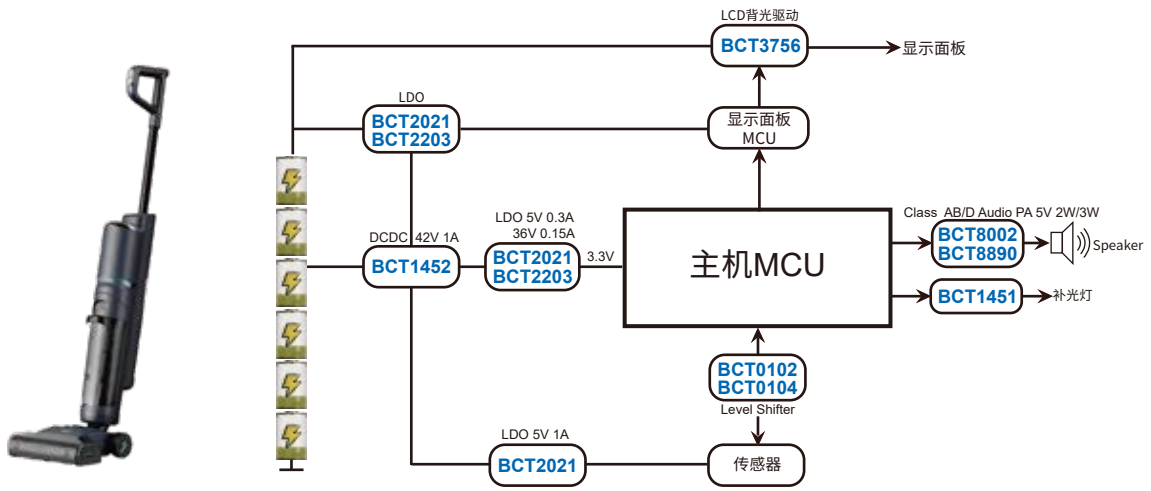
BCT89318A/BCT8937B

High efficiency, Low noise Class T Audio Amplifier

Sweeping Robot Block Diagram



Floor Washer Block Diagram



BCT8890

Low-Cost, Mono 2.2W Audio Power Amplifier

BCT1452

42V 1A Buck Converter

BCT3756

WLED Driver with PWM Brightness Control in Small Package

BCT3136

36ch 256x256 steps CC LED Driver

BCT2193

500mA Low IQ Low Dropout Regulators

BCT2211

500mA Low IQ Low Dropout Regulators

BCT2186

1000mA Ultra Low Dropout Regulators

CONTACT US 联系我们

Shanghai

上海总部

AD: 17th Floor, Block H, WESTLINK, No.2337 Gudai Road, Minhang District, Shanghai, China

上海市闵行区顾戴路2337号维璟中心H幢17层

P.C.: 201199

Tel: 021 - 64472383 64472385

MB: 13391139563

Shenzhen

深圳

AD: Room 1101, Floor 11, Dingxin Building East Block, No. 6008, Xili Liuxian Avenue, Nanshan District, Shenzhen, China

深圳市南山区西丽留仙大道6008号鼎新大厦东座11层1101室

P.C.: 518055

Tel: 13386121579

Hangzhou

杭州

AD: Room 1801~1807, Floor 18, Huaye Building, No. 511, Jianye Road, Binjiang District, Hangzhou, China

杭州市滨江区建业路511号华业大厦18层1801-1807室

P.C.: 310052

Tel: 13956026978

Hong Kong

香港

AD: 19H Maxground Plaza, No.3 Tai Yau Street, San Po Kong, Kowloon, Hong Kong, China

Tel: +852 - 25832396

Fax: +852 - 30119876



www.broadchip.com